



refined environments

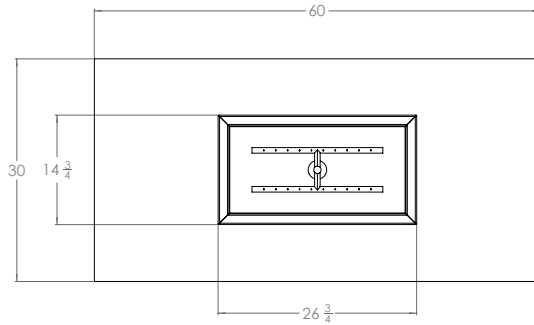
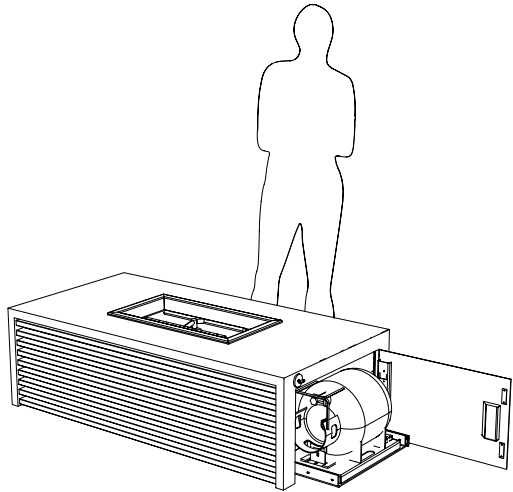
1972 W. 2425 S.
WOODS CROSS, UT 84087
801.936.0499
Info@ore.design

4043-48 SERIES PANEL FIRE FEATURE

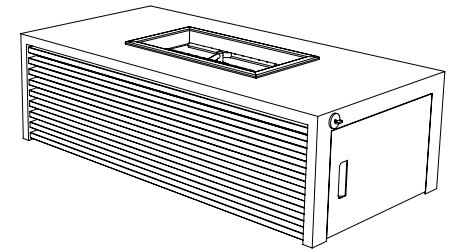
We offer Rail and Slat cladding options. Each is available in two finishes—oak and walnut—Uniquely durable and maintenance-free, we back our woodgrain finishes with a 10-year warranty. Formed of aluminum, our containers and outdoor products are shaped, welded, powder coated (as desired), and packaged exclusively at ORE's independent manufacturing facility in Woods Cross, UT.

PRODUCT SPECS: 140 lbs. Aluminum DIMENSION: 60"Lx 30"Wx18"H

MATERIAL TYPE	FUEL TYPE	BURNER OPTIONS	MODEL #	BTU	ELECTRICAL	STANDARD OPTIONS
<input checked="" type="radio"/> Aluminum	<input type="radio"/> Natural Gas	<input type="radio"/> Match Lit Burner →	N/A	→ N/A →	N/A	<input checked="" type="radio"/> Lid <input checked="" type="radio"/> Media
<input type="radio"/> Mild Steel	<input type="radio"/> Liquid Propane	<input type="radio"/> Push Button Ignition →	N/A	→ N/A →	Battery	<input checked="" type="radio"/> Granite (Ultimate Black) <input type="radio"/> Mechanical E-stop/Timer
<input type="radio"/> COR-TEN	<input type="radio"/> Wood Burning (Mild Steel/ COR-TEN)	<input type="radio"/> Electronic Ignition →	N/A	→ N/A →	120 VAC	<input checked="" type="radio"/> Glass Surround <input checked="" type="radio"/> Adjustable Feet
	<input checked="" type="radio"/> 20 LBS LP Tank	<input checked="" type="radio"/> Match Lit 20 LBS LP Tank →	TOR-MLFPK24X12-H-FLEX-LP-ST	→ 65K →	N/A	<input type="radio"/> Electronic Timer <input type="radio"/> LP Hose Routing
	<input type="radio"/> ETHANOL	<input type="radio"/> ECOSMART (Ethanol) →	N/A	→ N/A →	N/A	<input type="radio"/> Electronic Emergency Stop <input type="radio"/> 20 LBS Propane Enclosure
						<input type="radio"/> Bollard Controls (EI System) <input checked="" type="radio"/> LED Toe Kick Lighting



TOP VIEW

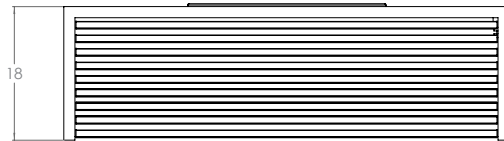


PERSPECTIVE VIEW

Horizontal Slat

Model A4048

Product shown in Rubbed Bronze with Oak.



FRONT VIEW



RIGHT VIEW



refined environments

1972 W. 2425 S.
WOODS CROSS, UT 84087
801.936.0499
Info@ore.design

4043-48 SERIES PANEL FIRE FEATURE

STANDARD OPTIONS: The Propane Fire Pit base model is provided with a CSA certified, 65 k B.T.U. match-lit burner (see first page for dimensions). The 4043-48 series Panel Fire Feature includes a self contained propane tank in a convenient and secure enclosure below. While firepit dimensions do not change with each option, there may be variations on the top face when selecting your burner. Our Project Managers are on hand to discuss additional options to complement your burner selection.

CAUTION: Please follow operating instructions carefully. Firepits are for outdoor/interior use only.

Horizontal Rail

Model A4044

Product shown in Limestone with Oak.



Vertical Rail

Model A4045

Product shown in Silver with Walnut.



Vertical Rail

Model A4046

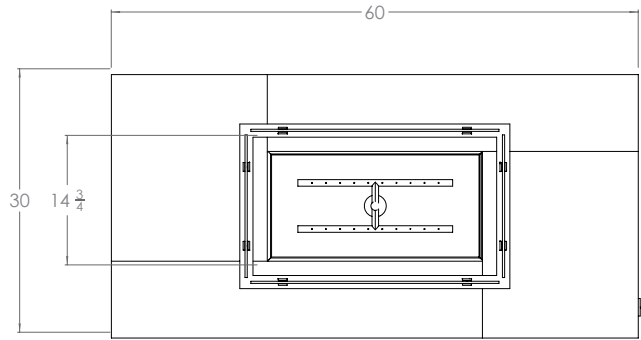
Product shown in Titanium Grey with Oak.



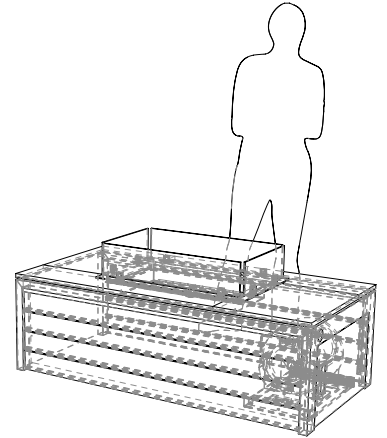
Horizontal Slat

Model A4047

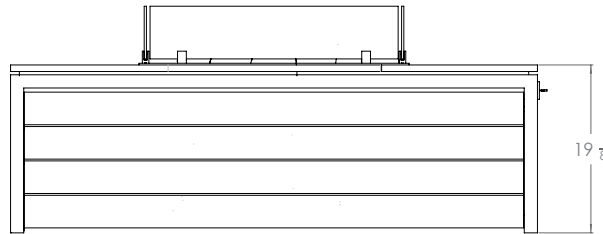
Product shown in Weathered Zinc with Walnut.



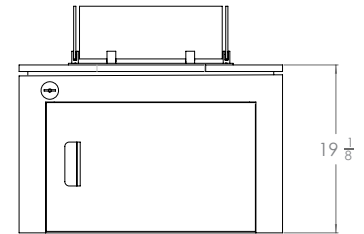
TOP VIEW



PERSPECTIVE VIEW

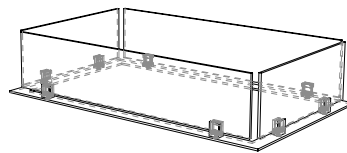


FRONT VIEW

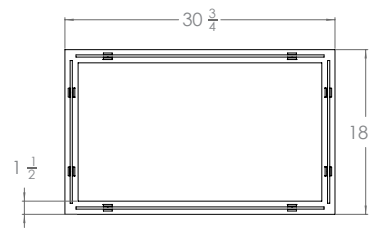


RIGHT VIEW

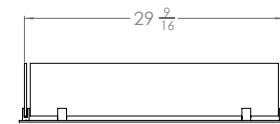
GLASS SURROUND



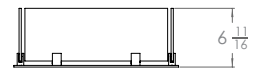
PERSPECTIVE VIEW



TOP VIEW



FRONT VIEW



RIGHT VIEW