

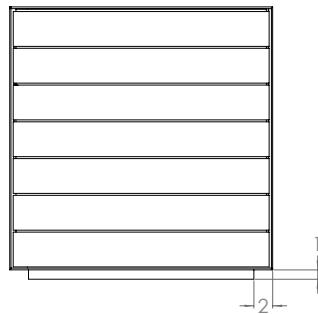
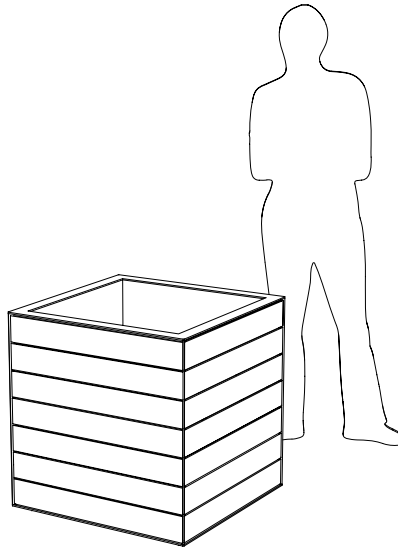
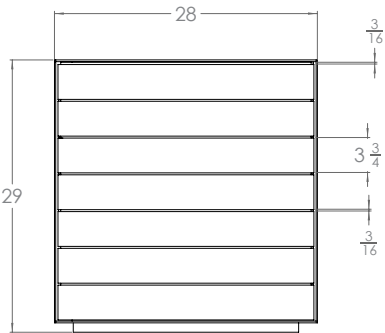
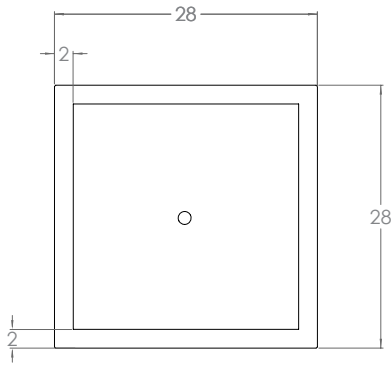
SURFACE CUBE 6085-6086

PRODUCT DESCRIPTION: Slat features a slight reveal gap between slats that create visual variance while maintaining a smooth, natural wood appearance. Formed in aluminum, our containers and outdoor products are shaped, welded, powder coated (as desired), and packaged exclusively at ORE's independent manufacturing facility in Woods Cross, UT.

6085 WALNUT: 90 lbs. Aluminum DIMENSION: 28"L x 28"W x 29"H

6086 OAK: 90 lbs. Aluminum DIMENSION: 28"L x 28"W x 29"H

OPTIONS:



Surface Cube

Model A6085

Product shown in Limestone with Walnut Slat.



Surface Cube

Model A6086

Product shown in Charcoal Grey with Oak Slat.



LEED ®POINTS:

- 1) Material Content
- 2) Indoor Environmental Quality - Manufacturing
- 3) Indoor Environmental Quality - Low VOCs
- 4) Material Reuse
- 5) Proximity

Final points achieved will vary according to materials and destination.

TO SPECIFY THIS PRODUCT:

- 1) Indicate product name, product number, description, and size
- 2) Select material: recycled steel, COR-TEN, or recycled aluminum. If recycled steel or aluminum is specified, select powder-coat color or natural patina finish.
- 3) Select product-specific options. Standard options may be viewed at ore.design