

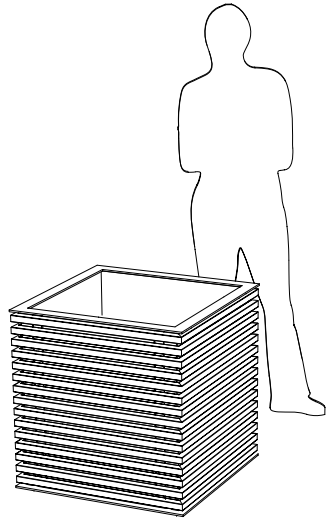
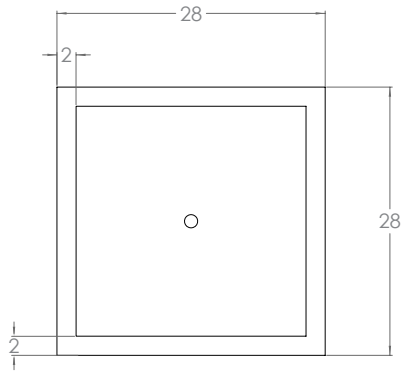
SURFACE CUBE 6081-6082

PRODUCT DESCRIPTION: Horizontal rail features a wide reveal gap between rails that create visual variance while maintaining a smooth, natural wood appearance. Formed in aluminum, our containers and outdoor products are shaped, welded, powder coated (as desired), and packaged exclusively at ORE's independent manufacturing facility in Woods Cross, UT.

6081 WALNUT: 90 lbs. Aluminum DIMENSION: 28"L x 28"W x 29"H

6082 OAK: 90 lbs. Aluminum DIMENSION: 28"L x 28"W x 29"H

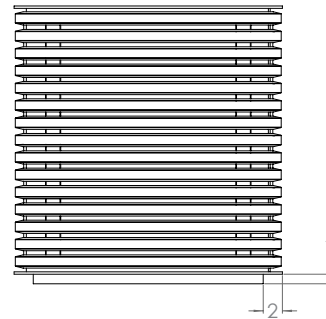
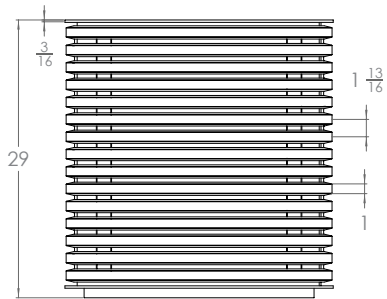
OPTIONS:



Surface Cube

Model A6081

Product shown in White with Walnut Rail.



Surface Cube

Model A6082

Product shown in Cast Iron with Oak Rail.



LEED ®POINTS:

- 1) Material Content
- 2) Indoor Environmental Quality - Manufacturing
- 3) Indoor Environmental Quality - Low VOCs
- 4) Material Reuse
- 5) Proximity

Final points achieved will vary according to materials and destination.

TO SPECIFY THIS PRODUCT:

- 1) Indicate product name, product number, description, and size
- 2) Select material: recycled steel, COR-TEN, or recycled aluminum. If recycled, steel or aluminum is specified, select powder-coat color or natural patina finish.
- 3) Select product-specific options. Standard options may be viewed at ore.design