

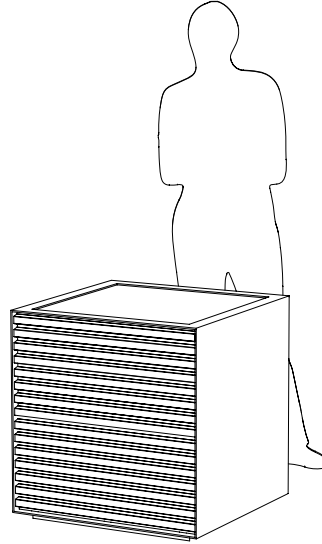
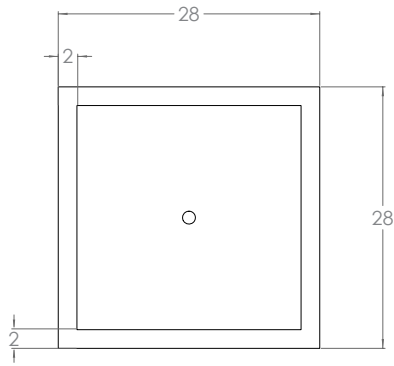
FACADE CUBE 6001-6002

PRODUCT DESCRIPTION: Horizontal rail features a wide reveal gap between rails that create visual variance while maintaining a smooth, natural wood appearance. Formed in aluminum, our containers and outdoor products are shaped, welded, powder coated (as desired), and packaged exclusively at ORE's independent manufacturing facility in Woods Cross, UT.

6001 WALNUT: 90 lbs. Aluminum DIMENSION: 28"L x 28"W x 29"H

6002 OAK: 90 lbs. Aluminum DIMENSION: 28"L x 28"W x 29"H

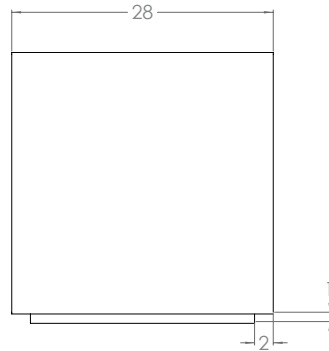
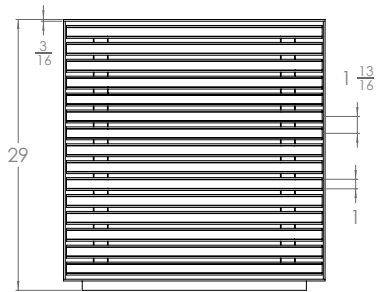
OPTIONS:    



Facade Cube

Model A6001

Product shown in Limestone with Walnut Rail.



Facade Cube

Model A6002

Product shown in Graphite with Oak Rail.



LEED ®POINTS:

- 1) Material Content
- 2) Indoor Environmental Quality - Manufacturing
- 3) Indoor Environmental Quality - Low VOCs
- 4) Material Reuse
- 5) Proximity

Final points achieved will vary according to materials and destination.

TO SPECIFY THIS PRODUCT:

- 1) Indicate product name, product number, description, and size
- 2) Select material: recycled steel, COR-TEN, or recycled aluminum. If recycled, steel or aluminum is specified, select powder-coat color or natural patina finish.
- 3) Select product-specific options. Standard options may be viewed at ore.design