



refined environments

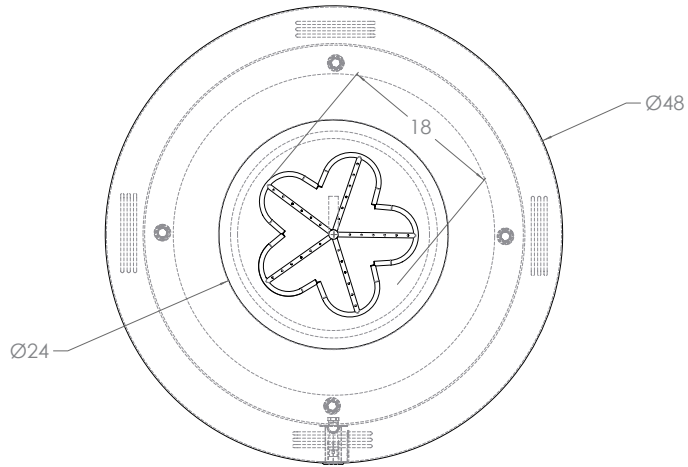
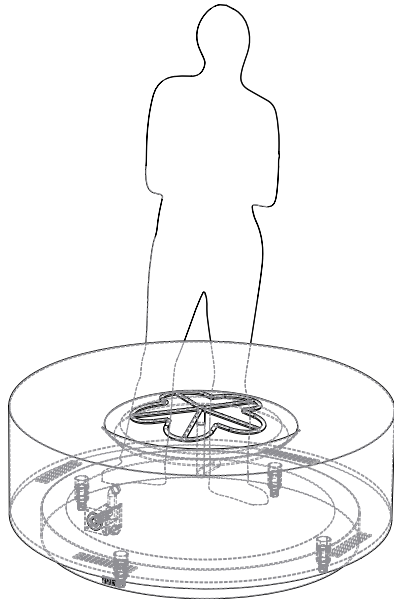
1972 W. 2425 S.
WOODS CROSS, UT 84087
801.936.0499
Info@ore.design

4051 FORMED CYLINDER

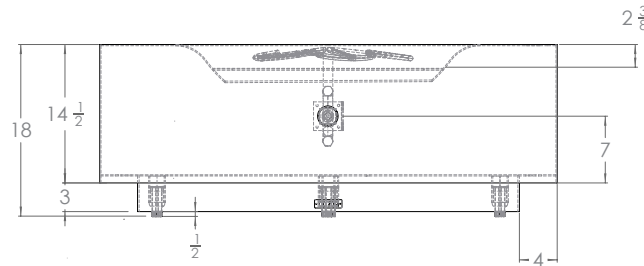
Resembling ORE's original Cylinder Fire Feature, the Formed Cylinder is a sophisticated option for a lower-profile look. Formed of either steel or aluminum, our containers and outdoor products are shaped, welded, powder coated (as desired), and packaged exclusively at ORE's independent manufacturing facility in Woods Cross, UT.

PRODUCT SPECS: 70 lbs. Aluminum DIMENSION: 48"Ø x 18"H

MATERIAL TYPE	FUEL TYPE	BURNER OPTIONS	MODEL #	BTU	ELECTRICAL	STANDARD OPTIONS
<input checked="" type="checkbox"/> Aluminum	<input checked="" type="checkbox"/> Natural Gas	<input checked="" type="checkbox"/> Match Lit Burner →	PENTA24 MLFPK-FLEX-NG →	65K →	N/A	<input checked="" type="checkbox"/> Lid <input checked="" type="checkbox"/> Media
<input checked="" type="checkbox"/> Mild Steel	<input checked="" type="checkbox"/> Liquid Propane	<input checked="" type="checkbox"/> Push Button Ignition →	PENTA24FPPK-FLEX-NG →	90Kv →	Battery	<input checked="" type="checkbox"/> Granite (Ultimate Black) <input checked="" type="checkbox"/> Mechanical E-stop/Timer
<input checked="" type="checkbox"/> COR-TEN	<input checked="" type="checkbox"/> Wood Burning (Mild Steel/ COR-TEN)	<input checked="" type="checkbox"/> Electronic Ignition →	PENTA24EI-NG →	125K →	120 VAC	<input checked="" type="checkbox"/> Glass Surround <input checked="" type="checkbox"/> Adjustable Feet
	<input checked="" type="checkbox"/> 20 LBS LP Tank	<input checked="" type="checkbox"/> Match Lit 20 LBS LP Tank →	PENTA24 MLFPK-FLEX-LP-ST →	65K →	N/A	<input checked="" type="checkbox"/> Electronic Timer <input checked="" type="checkbox"/> LP Hose Routing
	<input checked="" type="checkbox"/> ETHANOL	<input checked="" type="checkbox"/> ECOSMART (Ethanol) →	N/A →	N/A →	N/A	<input checked="" type="checkbox"/> Electronic Emergency Stop <input checked="" type="checkbox"/> 20 LBS Propane Enclosure
						<input checked="" type="checkbox"/> Bollard Controls (EI System) <input checked="" type="checkbox"/> LED Toe Kick Lighting



TOP VIEW



FRONT VIEW



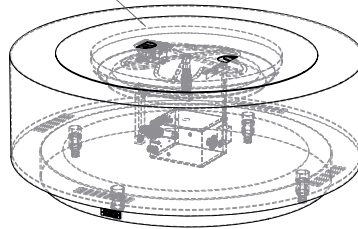
4051 FORMED CYLINDER

STANDARD OPTIONS: Drawings below illustrate typical standard options. Our Project Managers are on hand to discuss additional options to complement your burner selection.

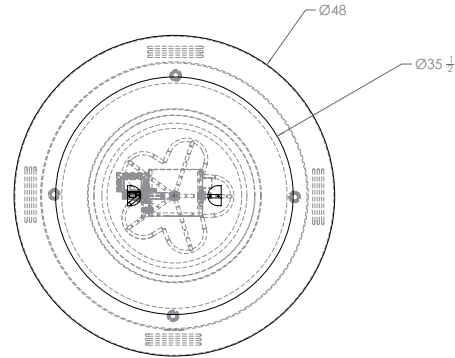
CAUTION: Please follow operating instructions carefully. Firepits are for outdoor/interior use only.

PILOTLESS REMOTE ELECTRONIC IGNITION

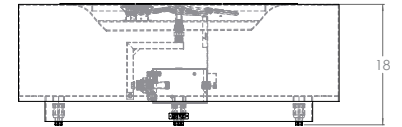
FLUSH LID SEE LID SPEC SHEET FOR LID OPTIONS



PERSPECTIVE VIEW

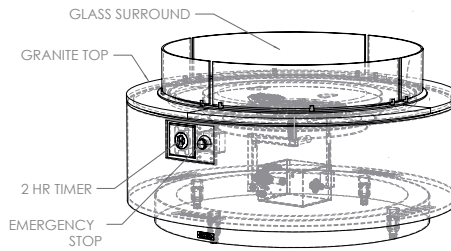
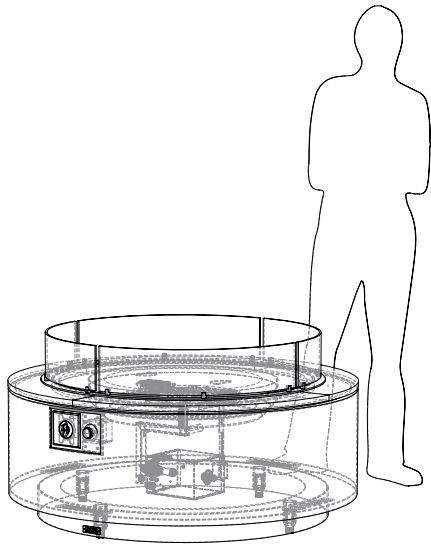


FRONT VIEW

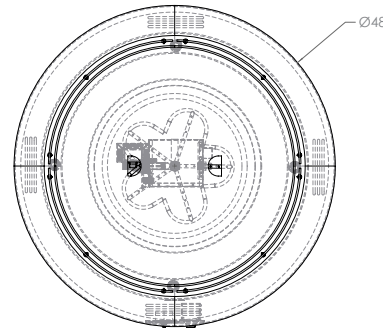


RIGHT VIEW

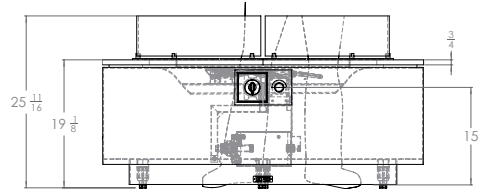
PILOTLESS REMOTE ELECTRONIC IGNITION



PERSPECTIVE VIEW

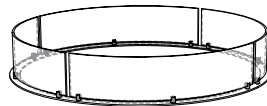


FRONT VIEW

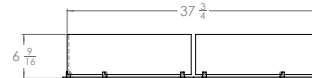


RIGHT VIEW

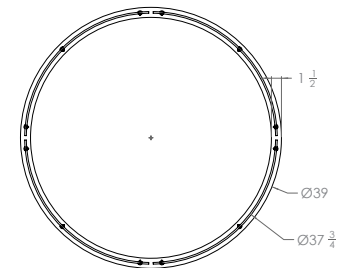
GLASS SURROUND



PERSPECTIVE VIEW



FRONT VIEW



TOP VIEW