

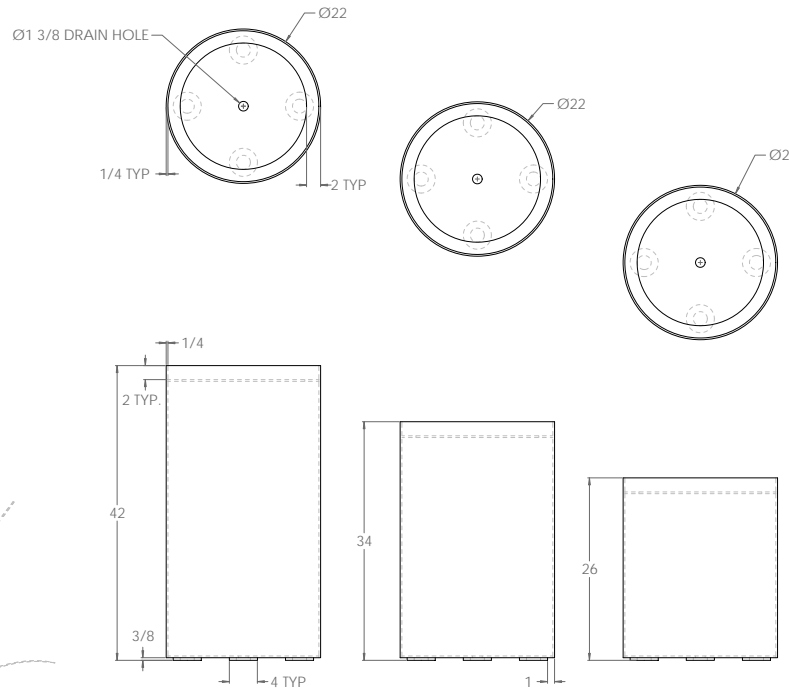
1225 | 1226 | 1227 SILO

PRODUCT DESCRIPTION: The SILO planter group features a curved design, adding a playful element to outdoor spaces. Available in three sizes and a variety of colors, Drum containers make a statement in multi-size groupings or as repeated, stand-alone pieces.

1225 SMALL : WEIGHT: 59 lbs. Steel, 29 lbs. Aluminum CAPACITY: 5.7 cu ft DIMENSION: 22" Dia x 26"H
1226 MEDIUM : WEIGHT: 62 lbs. Steel, 33 lbs. Aluminum CAPACITY: 7.4 cu ft DIMENSION: 22" Dia x 34"H
1227 LARGE : WEIGHT: 89 lbs. Steel, 49 lbs. Aluminum CAPACITY: 9.2 cu ft DIMENSION: 22" Dia x 42" H

Formed of either steel or aluminum, our containers are shaped, welded, powder coated (as desired), and packaged exclusively at Ore's independent manufacturing facility in Salt Lake City, UT. For more information, please contact your Ore Project Manager.

OPTIONS:



1226 | Medium Silo in Oxidized Zinc Patina

* PRODUCT DIMENSIONS MAY VARY DUE TO MANUFACTURING PROCESSES. PLEASE CONTACT YOUR ORE PROJECT MANAGER FOR DETAILS.

LEED® POINTS:

- 1) Material Content 2) Indoor Environmental Quality - Manufacturing
- 3) Indoor Environmental Quality - Low VOCs 4) Material Reuse
- 5) Proximity

Final points achieved will vary according to materials and destination.

LEGAL INFORMATION:

ALL RIGHTS RESERVED. INFORMATION IN THIS DOCUMENT IS CONFIDENTIAL AND IS EXCLUSIVE PROPERTY OF ORE INCORPORATED. DELIVERY OF THIS DOCUMENT OR ANY COPY THEREOF OR DISCLOSURE OF SUCH INFORMATION TO UNAUTHORIZED PERSONS IS FORBIDDEN WITHOUT EXPRESSED WRITTEN PERMISSION OF ORE INC.

TO SPECIFY THIS PRODUCT:

- 1) Indicate product name, product number, description, and size.
- 2) Select material: recycled steel, COR-TEN, or recycled aluminum. If recycled steel or aluminum is specified, select powder-coat color or natural patina finish.
- 3) Select product-specific options. Standard options may be viewed at ore.design.