



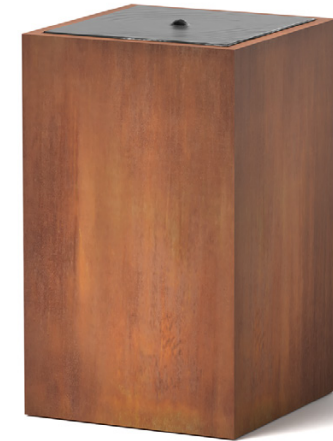
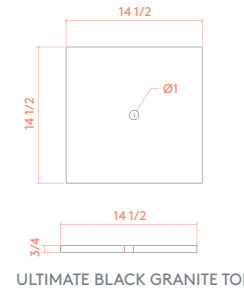
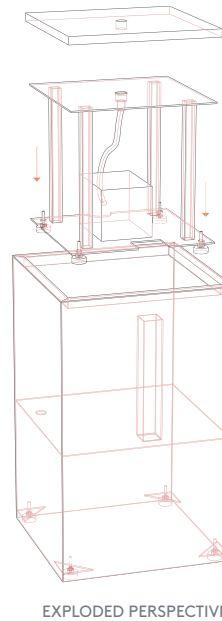
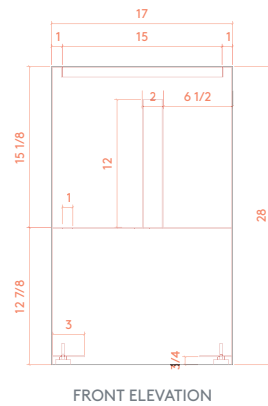
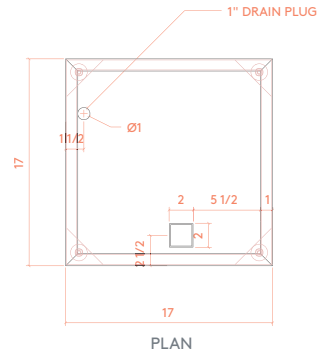
132 Pierpont Avenue, Garden Level
 Salt Lake City, UT 84101
 info@ore.design | 801.936.0499
ore.design

5002 COLUMN WATER FEATURE

PRODUCT DESCRIPTION: The COLUMN WATER FEATURE is a simple, elegant solution that works well in a variety of design schemas. Each column includes an electronic 300gph pump and hose, ultimate black granite top, and a standing-water drain plug for routine maintenance, washing, and water replacement.

5002 COLUMN WATER FEATURE: WEIGHT: 50 lbs. Steel | 24 lbs. Aluminum DESCRIPTION: 17"L x 17"W x 28"H

Formed of steel or aluminum, our water features are shaped, welded, powder coated (as desired), and packaged exclusively at Ore's independent manufacturing facility in Salt Lake City, Utah. For more information, please contact your Ore Project Manager.



5002 | Column Water Feature in Natural Rust Patina

LEED® POINTS:

- 1) Material Content
- 2) Indoor Environmental Quality - Manufacturing
- 3) Indoor Environmental Quality - Low VOCs
- 4) Material Reuse
- 5) Proximity

Final points achieved will vary according to materials and destination.

LEGAL INFORMATION:

ALL RIGHTS RESERVED. INFORMATION IN THIS DOCUMENT IS CONFIDENTIAL AND IS EXCLUSIVE PROPERTY OF ORE INCORPORATED. DELIVERY OF THIS DOCUMENT OR ANY COPY THEREOF OR DISCLOSURE OF SUCH INFORMATION TO UNAUTHORIZED PERSONS IS FORBIDDEN WITHOUT EXPRESSED WRITTEN PERMISSION OF ORE INC.

TO SPECIFY THIS PRODUCT:

- 1) Indicate product name, product number, description, and size.
- 2) Select material: recycled steel, COR-TEN, or recycled aluminum. If recycled steel or aluminum is specified, select powder-coat color or natural patina finish.
- 3) Select product-specific options. Standard options may be viewed at ore.design.