



132 Pierpont Avenue, Garden Level
 Salt Lake City, UT 84101
 info@ore.design | 801.936.0499
ore.design

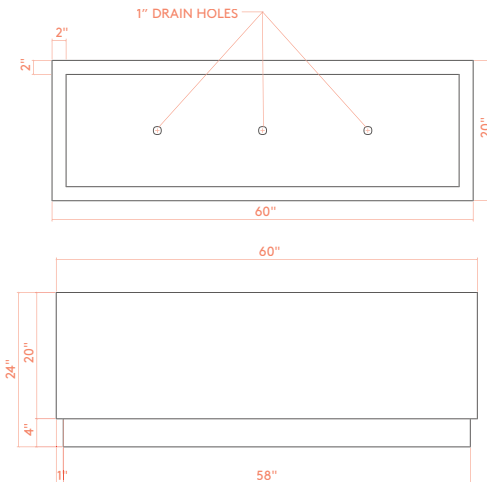
1120 RECTANGLE BASE

PRODUCT DESCRIPTION: The RECTANGLE BASE planter group provides low, deep forms with a pronounced skirt as an added design element. Available in a variety of colors, BASE containers offer a generous planting area and can be finished in one or two tones. Ore also offers two square 1019/1020 BASE planter options.

1120 RECTANGLE BASE: WEIGHT: 115 lbs. Steel | 54 lbs. Aluminum CAPACITY: 11 cu ft DIMENSION: 60”L x 20”W x 24”H

Formed of either steel or aluminum, our BASE containers are shaped, welded, powder coated (as desired), and packaged exclusively at Ore’s independent manufacturing facility in Salt Lake City, Utah. For more information, please contact your Ore Project Manager.

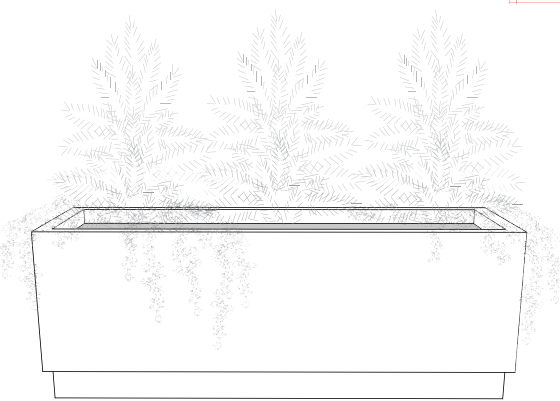
OPTIONS:       



1120 - Rectangular Base



1120 | Rectangle Base in Oxidized Zinc Patina



LEED® POINTS:

- 1) Material Content
- 2) Indoor Environmental Quality - Manufacturing
- 3) Indoor Environmental Quality - Low VOCs
- 4) Material Reuse
- 5) Proximity

Final points achieved will vary according to materials and destination.

LEGAL INFORMATION:

ALL RIGHTS RESERVED. INFORMATION IN THIS DOCUMENT IS CONFIDENTIAL AND IS EXCLUSIVE PROPERTY OF ORE INCORPORATED. DELIVERY OF THIS DOCUMENT OR ANY COPY THEREOF OR DISCLOSURE OF SUCH INFORMATION TO UNAUTHORIZED PERSONS IS FORBIDDEN WITHOUT EXPRESSED WRITTEN PERMISSION OF ORE INC.

TO SPECIFY THIS PRODUCT:

- 1) Indicate product name, product number, description, and size.
- 2) Select material: recycled steel, COR-TEN, or recycled aluminum. If recycled steel or aluminum is specified, select powder-coat color or natural patina finish.
- 3) Select product-specific options. Standard options may be viewed at ore.design.

1120 RECTANGLE BASE