



132 Pierpont Avenue, Garden Level  
 Salt Lake City, UT 84101  
 info@ore.design | 801.936.0499  
[ore.design](http://ore.design)

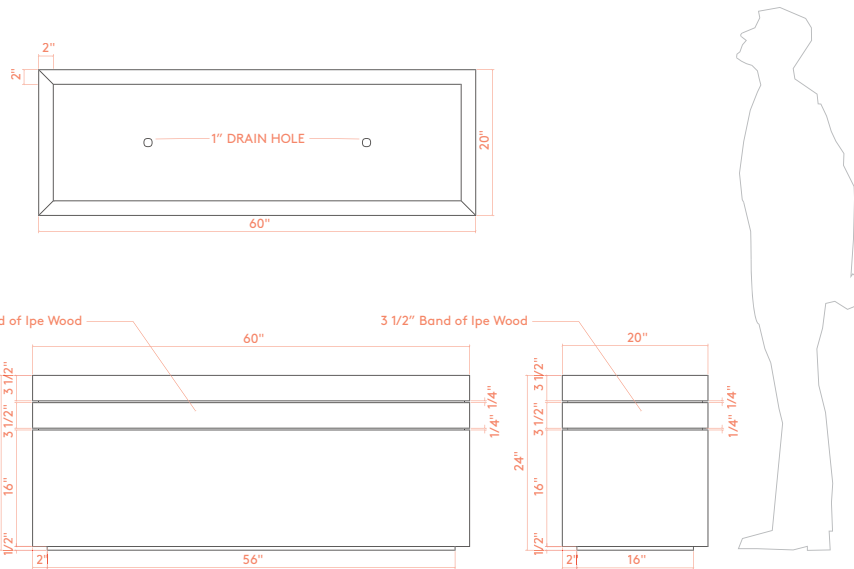
## 1116 RECTANGLE BAND

**PRODUCT DESCRIPTION:** The RECTANGLE BAND planter group provides the deep forms, shapes, and color options of our RECTANGLE containers with the addition of a decorative band of ipe wood near the top of each container. The RECTANGLE BAND may be paired with matching square 1021/1022 BAND planters.

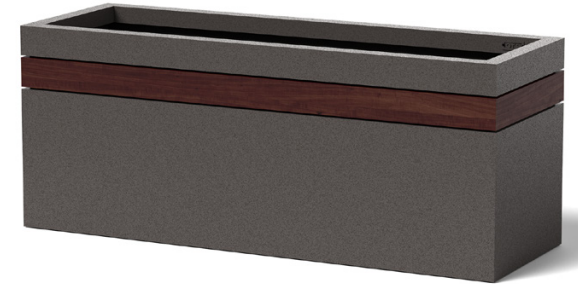
**1116 RECTANGLE BAND:** WEIGHT: 110 lbs. Steel | 59 lbs. Aluminum CAPACITY: 14.75 cu ft DIMENSION: 60"L x 20"W x 24"H

Formed of either steel or aluminum, our RECTANGLE BAND containers are shaped, welded, powder coated (as desired), and packaged exclusively at Ore's independent manufacturing facility in Salt Lake City, Utah. For more information, please contact your Ore Project Manager.

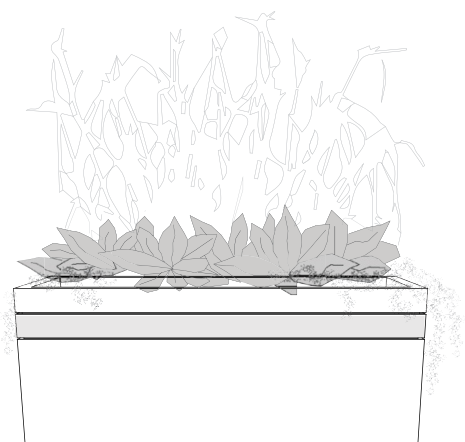
OPTIONS:      



1116 - Rectangle Band



1116 | Rectangle Band in Hammered Silver with Naturally-Treated Ipe Wood



### LEED® POINTS:

- 1) Material Content
- 2) Indoor Environmental Quality - Manufacturing
- 3) Indoor Environmental Quality - Low VOCs
- 4) Material Reuse
- 5) Proximity

Final points achieved will vary according to materials and destination.

### LEGAL INFORMATION:

ALL RIGHTS RESERVED. INFORMATION IN THIS DOCUMENT IS CONFIDENTIAL AND IS EXCLUSIVE PROPERTY OF ORE INCORPORATED. DELIVERY OF THIS DOCUMENT OR ANY COPY THEREOF OR DISCLOSURE OF SUCH INFORMATION TO UNAUTHORIZED PERSONS IS FORBIDDEN WITHOUT EXPRESSED WRITTEN PERMISSION OF ORE INC.

### TO SPECIFY THIS PRODUCT:

- 1) Indicate product name, product number, description, and size.
- 2) Select material: recycled steel, COR-TEN, or recycled aluminum. If recycled steel or aluminum is specified, select powder-coat color or natural patina finish.
- 3) Select product-specific options. Standard options may be viewed at [ore.design](http://ore.design).