

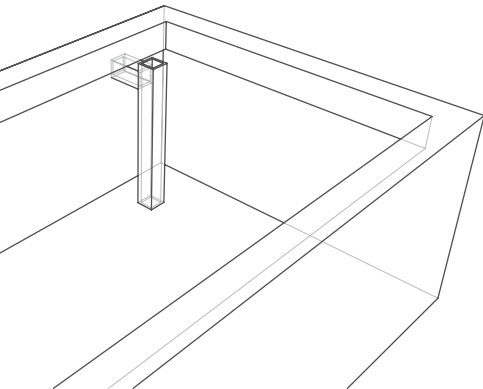
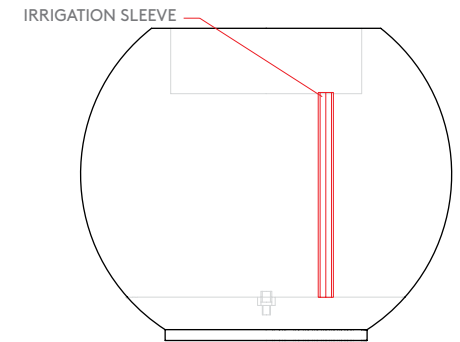
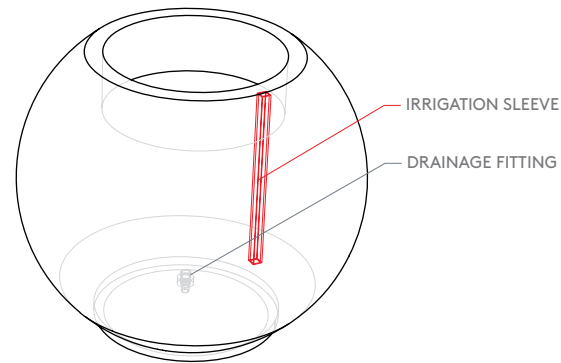
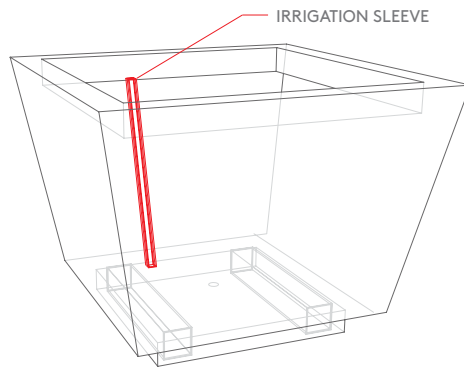


132 Pierpont Avenue, Garden Level  
Salt Lake City, UT 84101  
info@ore.design | 801.936.0499  
[ore.design](http://ore.design)

## IRRIGATION SLEEVE

**OPTION DESCRIPTION:** The Ore Irrigation Sleeve is a custom 1" x 1" sleeve welded into the interior of the container. The sleeve hides the irrigation line and simplifies installation and maintenance of the irrigation system. Standard placement is in the back right corner of the container. Our Project Managers are on hand to advise you on ideal quantity and placement for your selected containers.

Please note that this type of installation is compatible with other functional options such as drainage fitting, casters, and adjustable feet. To determine which containers are compatible with the Irrigation Sleeve option, look for this icon in our catalog and specification sheets.



### LEGAL INFORMATION:

ALL RIGHTS RESERVED. INFORMATION IN THIS DOCUMENT IS CONFIDENTIAL AND IS EXCLUSIVE PROPERTY OF ORE INCORPORATED. DELIVERY OF THIS DOCUMENT OR ANY COPY THEREOF OR DISCLOSURE OF SUCH INFORMATION TO UNAUTHORIZED PERSONS IS FORBIDDEN WITHOUT EXPRESSED WRITTEN PERMISSION OF ORE INC.

