



132 Pierpont Avenue, Garden Level  
 Salt Lake City, UT 84101  
 info@ore.design | 801.936.0499  
[ore.design](http://ore.design)

## 1209 | 1210 CAPSULE

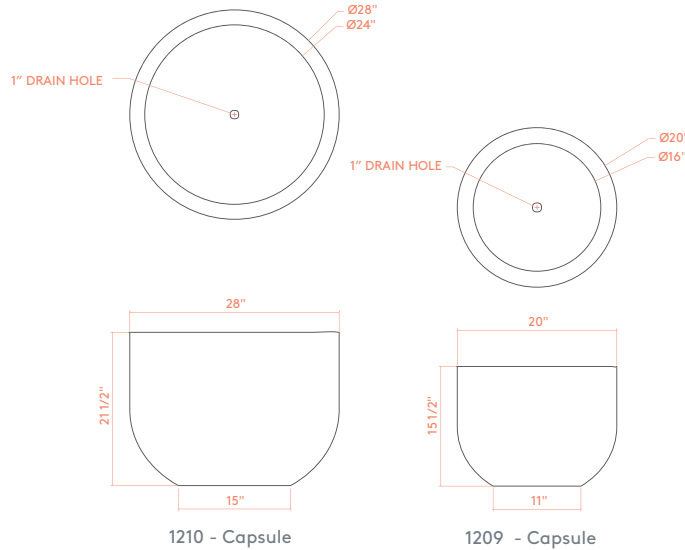
**PRODUCT DESCRIPTION:** The CAPSULE planter group is a minimal form with a rounded bottom and deep sides. CAPSULE containers come in two sizes and a variety of colors.

**1209 SMALL CAPSULE:** WEIGHT: 24 lbs. Steel, 13 lbs. Aluminum CAPACITY: 0.5 cu ft DIMENSION: 20" Dia x 15.5"H

**1210 LARGE CAPSULE:** WEIGHT: 56 lbs. Steel, 30 lbs. Aluminum CAPACITY: 4.25 cu ft DIMENSION: 28" Dia x 21.5"H

Formed of either steel or aluminum, our containers are shaped, welded, powder coated (as desired), and packaged exclusively at Ore's independent manufacturing facility in Salt Lake City, UT. For more information, please contact your Ore Project Manager.

OPTIONS:



1210 | Large Capsule in Oxidized Zinc Patina

**LEED® POINTS:**

- 1) Material Content
- 2) Indoor Environmental Quality - Manufacturing
- 3) Indoor Environmental Quality - Low VOCs
- 4) Material Reuse
- 5) Proximity

Final points achieved will vary according to materials and destination.

**LEGAL INFORMATION:**

ALL RIGHTS RESERVED. INFORMATION IN THIS DOCUMENT IS CONFIDENTIAL AND IS EXCLUSIVE PROPERTY OF ORE INCORPORATED. DELIVERY OF THIS DOCUMENT OR ANY COPY THEREOF OR DISCLOSURE OF SUCH INFORMATION TO UNAUTHORIZED PERSONS IS FORBIDDEN WITHOUT EXPRESSED WRITTEN PERMISSION OF ORE INC.

**TO SPECIFY THIS PRODUCT:**

- 1) Indicate product name, product number, description, and size.
- 2) Select material: recycled steel, COR-TEN, or recycled aluminum. If recycled steel or aluminum is specified, select powder-coat color or natural patina finish.
- 3) Select product-specific options. Standard options may be viewed at [ore.design](http://ore.design).