



132 Pierpont Avenue, Garden Level
 Salt Lake City, UT 84101
 info@ore.design | 801.936.0499
ore.design

1200 | 1201 | 1202 CYLINDER

PRODUCT DESCRIPTION: The CYLINDER planter group offers a versatile, clean design in a variety of shapes and colors. The CYLINDER is available in a variety of colors and three sizes. Designers may opt to use multiple sizes or a single, repeat model to create a uniform effect.

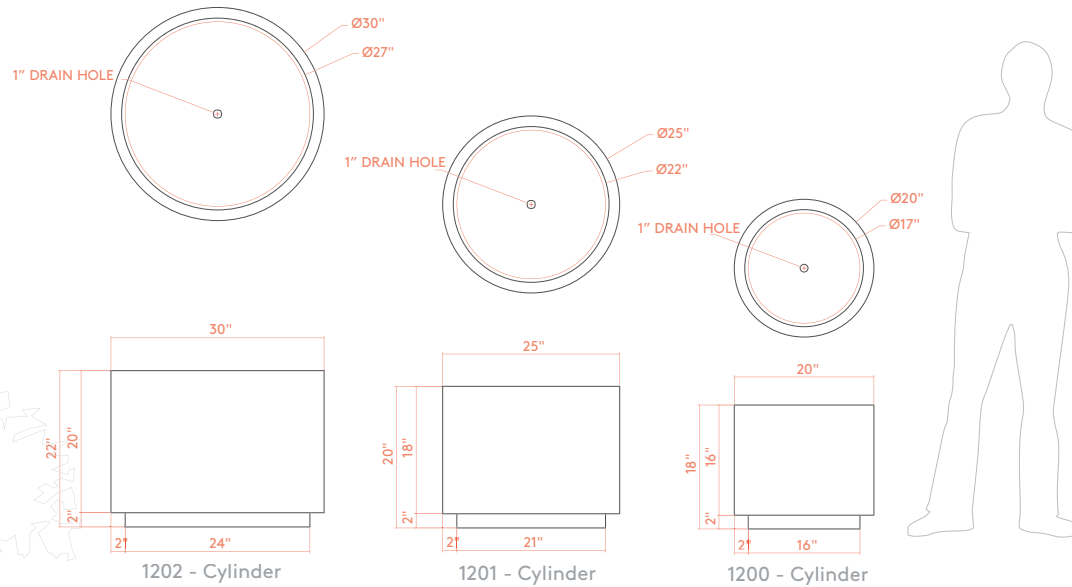
1200 CYLINDER: WEIGHT: 32 lbs. Steel, 17 lbs. Aluminum CAPACITY: 2.5 cu ft DIMENSION: 20" Dia x 18"H

1201 CYLINDER: WEIGHT: 46 lbs. Steel, 24 lbs. Aluminum CAPACITY: 4.5 cu ft DIMENSION: 25" Dia x 20"H

1202 CYLINDER: WEIGHT: 62 lbs. Steel, 32 lbs. Aluminum CAPACITY: 7.5 cu ft DIMENSION: 30" Dia x 22"H

Formed of either steel or aluminum, our containers are shaped, welded, powder coated (as desired), and packaged exclusively at Ore's independent manufacturing facility in Salt Lake City, UT. For more information, please contact your Ore Project Manager.

OPTIONS:



1200, 1201, 1202 | Cylinder in Standard Powder Coat Linen White

LEED® POINTS:

- 1) Material Content
- 2) Indoor Environmental Quality - Manufacturing
- 3) Indoor Environmental Quality - Low VOCs
- 4) Material Reuse
- 5) Proximity

Final points achieved will vary according to materials and destination.

LEGAL INFORMATION:

ALL RIGHTS RESERVED. INFORMATION IN THIS DOCUMENT IS CONFIDENTIAL AND IS EXCLUSIVE PROPERTY OF ORE INCORPORATED. DELIVERY OF THIS DOCUMENT OR ANY COPY THEREOF OR DISCLOSURE OF SUCH INFORMATION TO UNAUTHORIZED PERSONS IS FORBIDDEN WITHOUT EXPRESSED WRITTEN PERMISSION OF ORE INC.

TO SPECIFY THIS PRODUCT:

- 1) Indicate product name, product number, description, and size.
- 2) Select material: recycled steel, COR-TEN, or recycled aluminum. If recycled steel or aluminum is specified, select powder-coat color or natural patina finish.
- 3) Select product-specific options. Standard options may be viewed at ore.design.