



132 Pierpont Avenue, Garden Level  
 Salt Lake City, UT 84101  
 info@ore.design | 801.936.0499  
[ore.design](http://ore.design)

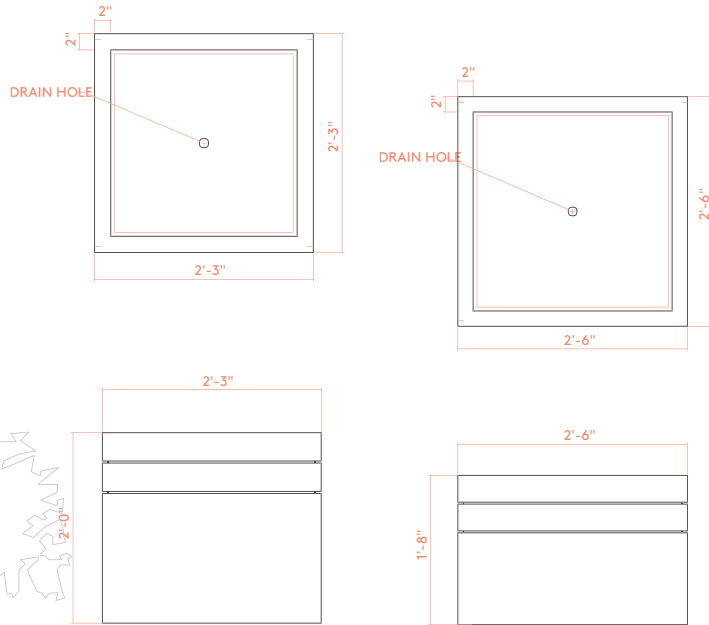
## 1021 | 1022 BAND

**PRODUCT DESCRIPTION:** The BAND planter group features a low, deep form enhanced by a decorative band of ipe wood. Available in a variety of colors, the BAND is also compatible with the 1116 RECTANGLE BAND, available upon request .

**1021 SMALL BAND:** WEIGHT 87 lbs. Steel | 42 lbs. Aluminum CAPACITY: 9 cu ft DIMENSION: 27"L x 27"W x 24"H  
**1022 LARGE BAND:** WEIGHT 88 lbs. Steel | 44 lbs. Aluminum CAPACITY: 9 cu ft DIMENSION: 30"L x 30"W x 20"H

Formed of either steel or aluminum, our BAND containers are shaped, welded, powder coated (as desired), and packaged exclusively at Ore's independent manufacturing facility in Salt Lake City, Utah. For more information, please contact your Ore Project Manager.

OPTIONS:        

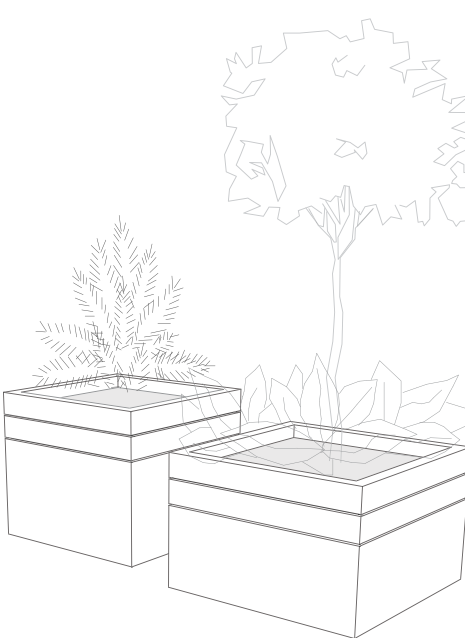


1021 - Small Band

1022 - Large Band



1021 | Small Band in Oxidized Zinc Patina with Naturally-Treated Ipe Wood



### LEED® POINTS:

- 1) Material Content
- 2) Indoor Environmental Quality - Manufacturing
- 3) Indoor Environmental Quality - Low VOCs
- 4) Material Reuse
- 5) Proximity

Final points achieved will vary according to materials and destination.

### LEGAL INFORMATION:

ALL RIGHTS RESERVED. INFORMATION IN THIS DOCUMENT IS CONFIDENTIAL AND IS EXCLUSIVE PROPERTY OF ORE INCORPORATED. DELIVERY OF THIS DOCUMENT OR ANY COPY THEREOF OR DISCLOSURE OF SUCH INFORMATION TO UNAUTHORIZED PERSONS IS FORBIDDEN WITHOUT EXPRESSED WRITTEN PERMISSION OF ORE INC.

### TO SPECIFY THIS PRODUCT:

- 1) Indicate product name, product number, description, and size.
- 2) Select material: recycled steel, COR-TEN, or recycled aluminum. If recycled steel or aluminum is specified, select powder-coat color or natural patina finish.
- 3) Select product-specific options. Standard options may be viewed at [ore.design](http://ore.design).