



132 Pierpont Avenue, Garden Level
 Salt Lake City, UT 84101
 info@ore.design | 801.936.0499
ore.design

1019 | 1020 BASE

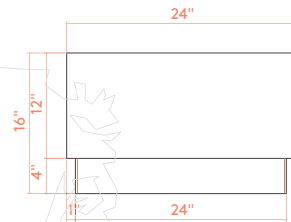
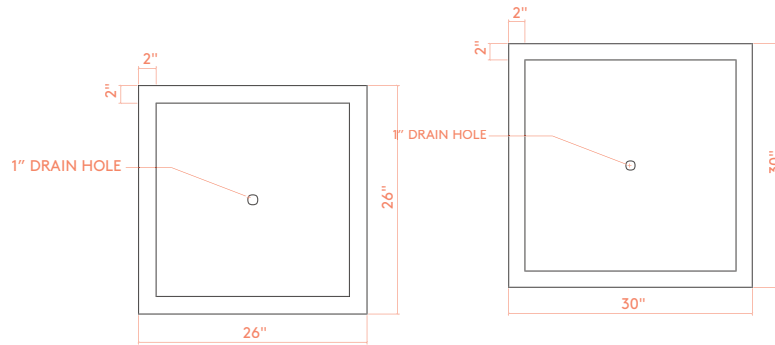
PRODUCT DESCRIPTION: The BASE planter group features a low, deep form, pronounced skirt, and a variety of color options. BASE containers offer a generous planting area and can be finished in two tones. A matching 1120 RECTANGLE BASE is also available upon request.

1019 SMALL BASE: WEIGHT: 65 lbs. Steel | 28 lbs. Aluminum CAPACITY: 3.75 cu ft DIMENSION: 26" L x 26" W x 16" H

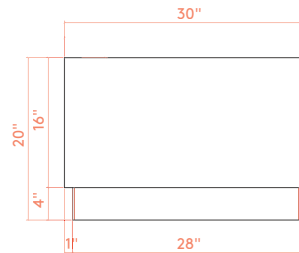
1020 LARGE BASE: WEIGHT: 85 lbs. Steel | 36 lbs. Aluminum CAPACITY: 6.75 cu ft DIMENSION: 30" L x 30" W x 20" H

Formed of either steel or aluminum, our BASE containers are shaped, welded, powder coated (as desired), and packaged exclusively at Ore's independent manufacturing facility in Salt Lake City, Utah.
 For more information, please contact your Ore Project Manager.

OPTIONS:        



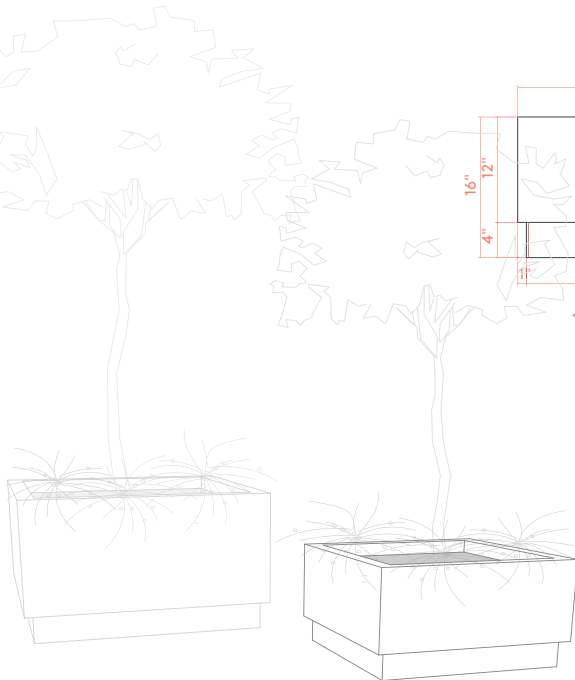
1019 - Base



1020 - Base



1020 | Large Base in Hammered Bronze



LEED® POINTS:

- 1) Material Content
- 2) Indoor Environmental Quality - Manufacturing
- 3) Indoor Environmental Quality - Low VOCs
- 4) Material Reuse
- 5) Proximity

Final points achieved will vary according to materials and destination.

LEGAL INFORMATION:

ALL RIGHTS RESERVED. INFORMATION IN THIS DOCUMENT IS CONFIDENTIAL AND IS EXCLUSIVE PROPERTY OF ORE INCORPORATED. DELIVERY OF THIS DOCUMENT OR ANY COPY THEREOF OR DISCLOSURE OF SUCH INFORMATION TO UNAUTHORIZED PERSONS IS FORBIDDEN WITHOUT EXPRESSED WRITTEN PERMISSION OF ORE INC.

TO SPECIFY THIS PRODUCT:

- 1) Indicate product name, product number, description, and size.
- 2) Select material: recycled steel, COR-TEN, or recycled aluminum. If recycled steel or aluminum is specified, select powder-coat color or natural patina finish.
- 3) Select product-specific options. Standard options may be viewed at ore.design.