



132 Pierpont Avenue, Garden Level
 Salt Lake City, UT 84101
 info@ore.design | 801.936.0499
ore.design

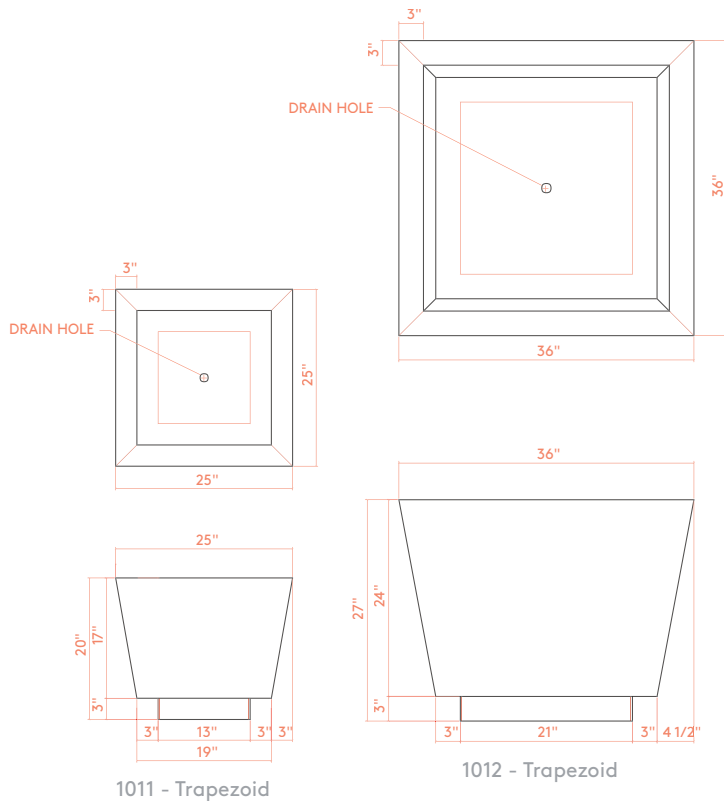
1011 | 1012 TRAPEZOID

PRODUCT DESCRIPTION: The TRAPEZOID planter group features a bold, tapered shape and generous planting depth. Available in a variety of colors, the TRAPEZOID has a strong visual presence that can be incorporated as a finishing element in a larger architectural context.

1011 SMALL TRAPEZOID: WEIGHT: 72 lbs. Steel | 36 lbs. Aluminum CAPACITY: 3.75 cu ft DIMENSION: 25" L x 25" W x 20" H
1012 LARGE TRAPEZOID: WEIGHT: 135 lbs. Steel | 67 lbs. Aluminum CAPACITY: 11.5 cu ft DIMENSION: 36" L x 36" W x 27" H

Formed of either steel or aluminum, our TRAPEZOID containers are shaped, welded, powder coated (as desired), and packaged exclusively at Ore's independent manufacturing facility in Salt Lake City, Utah. For more information, please contact your Ore Project Manager.

OPTIONS:       



1012 | Large Trapezoid in Hammered Bronze

LEED® POINTS:

- 1) Material Content
- 2) Indoor Environmental Quality - Manufacturing
- 3) Indoor Environmental Quality - Low VOCs
- 4) Material Reuse
- 5) Proximity

Final points achieved will vary according to materials and destination.

LEGAL INFORMATION:

ALL RIGHTS RESERVED. INFORMATION IN THIS DOCUMENT IS CONFIDENTIAL AND IS EXCLUSIVE PROPERTY OF ORE INCORPORATED. DELIVERY OF THIS DOCUMENT OR ANY COPY THEREOF OR DISCLOSURE OF SUCH INFORMATION TO UNAUTHORIZED PERSONS IS FORBIDDEN WITHOUT EXPRESSED WRITTEN PERMISSION OF ORE INC.

TO SPECIFY THIS PRODUCT:

- 1) Indicate product name, product number, description, and size.
- 2) Select material: recycled steel, COR-TEN, or recycled aluminum. If recycled steel or aluminum is specified, select powder-coat color or natural patina finish.
- 3) Select product-specific options. Standard options may be viewed at ore.design.