



132 Pierpont Avenue, Garden Level
Salt Lake City, UT 84101
info@ore.design | 801.936.0499
ore.design

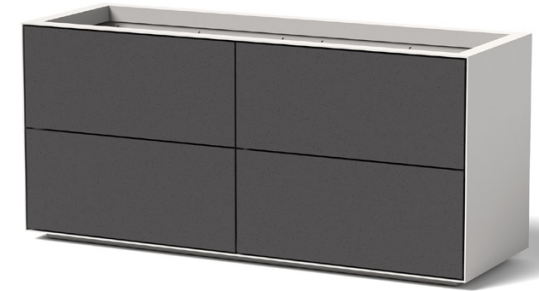
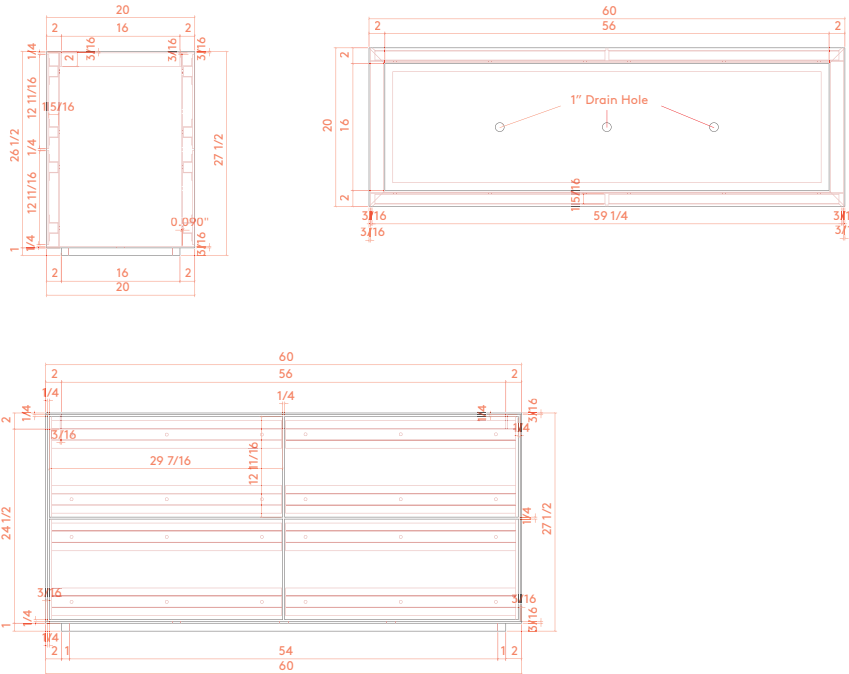
6060 FACADE 2-SIDED PANEL

PRODUCT DESCRIPTION: Inspired by architecture, Ore’s extensive portfolio of cladding options maximizes customization with an extensive variety of materials and colors. Our selection of durable, weather-resistant products ensures high-quality results with endless creative potential. Made from our recycled aluminum material, these tiles are used as slats or panels. They may be powder coated with a single color or multiple colors.

6060 FACADE 2-SIDED PANEL: WEIGHT: 130lbs. Trespa, Prodema | 95 lbs. Aluminum
CAPACITY: 10.5 cu ft DIMENSION: 27”L x 27”W x 28”H

Formed of aluminum, our containers are shaped, welded, powder coated (as desired), and packaged exclusively at Ore’s independent manufacturing facility in Salt Lake City, UT.
For more information, please contact your Ore Project Manager.

OPTIONS:       



6060 | Facade 2-Sided Panel Shown in Standard Linen White Powder Coat with Trespa Steel Gray Panels

LEED® POINTS:

- 1) Material Content
- 2) Indoor Environmental Quality - Manufacturing
- 3) Indoor Environmental Quality - Low VOCs
- 4) Material Reuse
- 5) Proximity

Final points achieved will vary according to materials and destination.

LEGAL INFORMATION:

ALL RIGHTS RESERVED. INFORMATION IN THIS DOCUMENT IS CONFIDENTIAL AND IS EXCLUSIVE PROPERTY OF ORE INCORPORATED. DELIVERY OF THIS DOCUMENT OR ANY COPY THEREOF OR DISCLOSURE OF SUCH INFORMATION TO UNAUTHORIZED PERSONS IS FORBIDDEN WITHOUT EXPRESSED WRITTEN PERMISSION OF ORE INC.

TO SPECIFY THIS PRODUCT:

- 1) Indicate product name, product number, description, and size.
- 2) Select material: recycled steel, COR-TEN, or recycled aluminum. If recycled steel or aluminum is specified, select powder-coat color or natural patina finish.
- 3) Select product-specific options. Standard options may be viewed at ore.design.



132 Pierpont Avenue, Garden Level
 Salt Lake City, UT 84101
 info@ore.design | 801.936.0499
ore.design

6040 | 6060 FACADE 2-SIDED SLAT FINISHES

FACADE 2-SIDED PANEL: Inspired by architecture, Ore's extensive portfolio of cladding options maximizes customization with an extensive variety of materials and colors. Our selection of durable, weather-resistant products ensures high-quality results with endless creative potential.

Our 6040/6060 2-SIDED SLAT FINISHES may be ordered to fit RECTANGLE or CUBE containers with a wide, rectangle panel design.

TRESPA®

Trespa® is a durable, high-pressure, compact laminate that yields a highly stable, durable cladding panel with exceptional weather resistance and zero maintenance required.

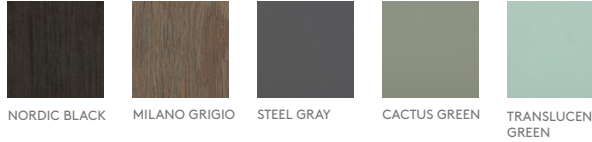
PRODEMA

Prodema is a composite panel with a natural wood-face veneer that resists the effects of sunlight, chemical effects, and the damage caused by atmospheric agents.

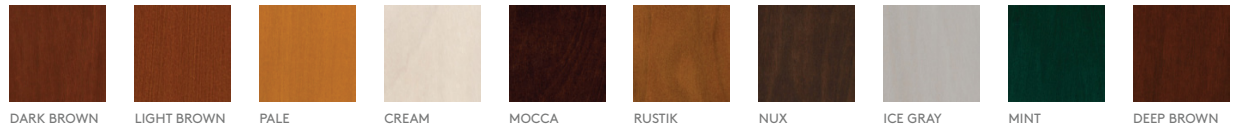
ALUMINUM

Made from our recycled aluminum material, these tiles are used as slats or panels. They may be powder coated with a single color or multiple colors.

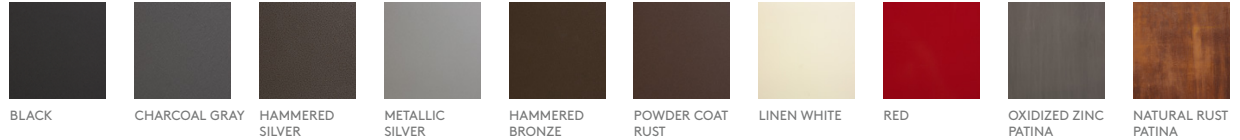
TRESPA



PRODEMA



ALUMINUM



LEGAL INFORMATION:

ALL RIGHTS RESERVED. INFORMATION IN THIS DOCUMENT IS CONFIDENTIAL AND IS EXCLUSIVE PROPERTY OF ORE INCORPORATED. DELIVERY OF THIS DOCUMENT OR ANY COPY THEREOF OR DISCLOSURE OF SUCH INFORMATION TO UNAUTHORIZED PERSONS IS FORBIDDEN WITHOUT EXPRESSED WRITTEN PERMISSION OF ORE INC.