



132 Pierpont Avenue, Garden Level
 Salt Lake City, UT 84101
 info@ore.design | 801.936.0499
ore.design

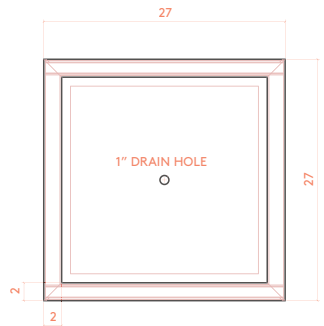
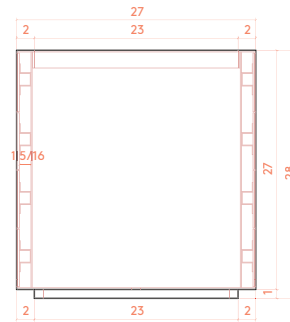
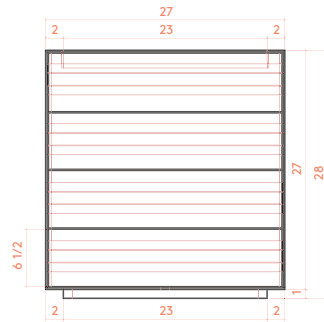
6000 FACADE 2-SIDED SLAT

PRODUCT DESCRIPTION: Inspired by architecture, Ore’s extensive portfolio of cladding options maximizes customization with an extensive variety of materials and colors. Our selection of durable, weather-resistant products ensures high-quality results with endless creative potential. Our 6000/6020 2-SIDED SLAT FINISHES may be ordered to fit RECTANGLE or CUBE containers with a narrow, horizontal panel design.

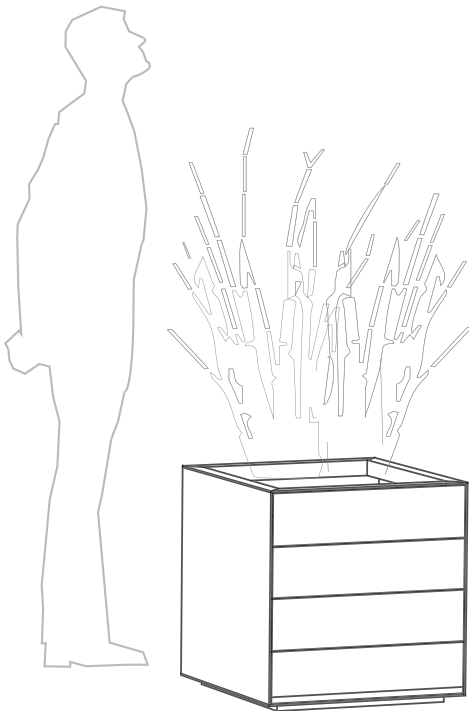
6000 FACADE 2-SIDED SLAT: WEIGHT: 150 lbs. FibreC | 130lbs. Trespa, Prodema & FSC Certified Woods | 95 lbs. Aluminum
 CAPACITY: 10.5 cu ft DIMENSION: 27”L x 27”W x 28”H

Formed of aluminum, our containers are shaped, welded, powder coated (as desired), and packaged exclusively at Ore’s independent manufacturing facility in Salt Lake City, UT.
 For more information, please contact your Ore Project Manager.

OPTIONS:      



6000 | Facade 2-Sided Slat Shown in Thermally-Modified Domestic Wood Soft Maple Slats



LEED® POINTS:

- 1) Material Content
- 2) Indoor Environmental Quality - Manufacturing
- 3) Indoor Environmental Quality - Low VOCs
- 4) Material Reuse
- 5) Proximity

Final points achieved will vary according to materials and destination.

LEGAL INFORMATION:

ALL RIGHTS RESERVED. INFORMATION IN THIS DOCUMENT IS CONFIDENTIAL AND IS EXCLUSIVE PROPERTY OF ORE INCORPORATED. DELIVERY OF THIS DOCUMENT OR ANY COPY THEREOF OR DISCLOSURE OF SUCH INFORMATION TO UNAUTHORIZED PERSONS IS FORBIDDEN WITHOUT EXPRESSED WRITTEN PERMISSION OF ORE INC.

TO SPECIFY THIS PRODUCT:

- 1) Indicate product name, product number, description, and size.
- 2) Select material: recycled steel, COR-TEN, or recycled aluminum. If recycled steel or aluminum is specified, select powder-coat color or natural patina finish.
- 3) Select product-specific options. Standard options may be viewed at ore.design.



132 Pierpont Avenue, Garden Level
 Salt Lake City, UT 84101
 info@ore.design | 801.936.0499
ore.design

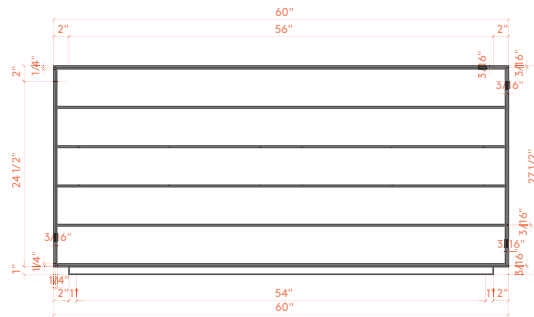
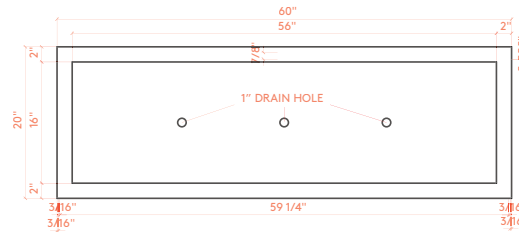
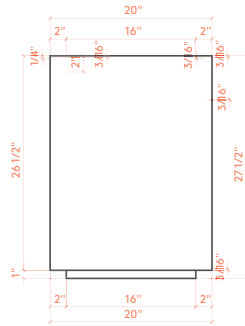
6020 FACADE 2-SIDED SLAT

PRODUCT DESCRIPTION: Inspired by architecture, Ore’s extensive portfolio of cladding options maximizes customization with an extensive variety of materials and colors. Our selection of durable, weather-resistant products ensures high-quality results with endless creative potential. Our 6000/6020 2-SIDED SLAT FINISHES may be ordered to fit RECTANGLE or CUBE containers with a narrow, horizontal panel design.

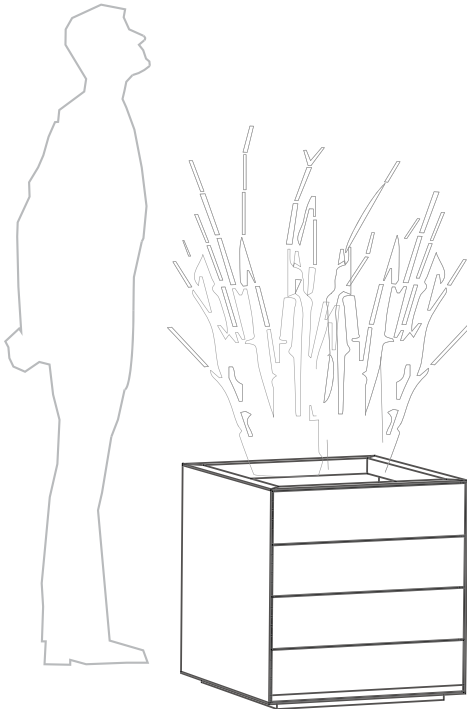
6020 FACADE 2-SIDED SLAT: WEIGHT: 215 lbs. FibreC | 180lbs. Trespa, Prodema & FSC Certified Woods | 125 lbs. Aluminum
 CAPACITY: 19 cu ft DIMENSION: L 60” W 20” H 27.5”

Formed of aluminum, our containers are shaped, welded, powder coated (as desired), and packaged exclusively at Ore’s independent manufacturing facility in Salt Lake City, UT.
 For more information, please contact your Ore Project Manager.

OPTIONS:       



6020 | Facade 2-Sided Slat Shown in Standard Linen White Powder Coat with FSC-Certified Ipe Slats



LEED® POINTS:

- 1) Material Content
- 2) Indoor Environmental Quality - Manufacturing
- 3) Indoor Environmental Quality - Low VOCs
- 4) Material Reuse
- 5) Proximity

Final points achieved will vary according to materials and destination.

LEGAL INFORMATION:

ALL RIGHTS RESERVED. INFORMATION IN THIS DOCUMENT IS CONFIDENTIAL AND IS EXCLUSIVE PROPERTY OF ORE INCORPORATED. DELIVERY OF THIS DOCUMENT OR ANY COPY THEREOF OR DISCLOSURE OF SUCH INFORMATION TO UNAUTHORIZED PERSONS IS FORBIDDEN WITHOUT EXPRESSED WRITTEN PERMISSION OF ORE INC.

TO SPECIFY THIS PRODUCT:

- 1) Indicate product name, product number, description, and size.
- 2) Select material: recycled steel, COR-TEN, or recycled aluminum. If recycled steel or aluminum is specified, select powder-coat color or natural patina finish.
- 3) Select product-specific options. Standard options may be viewed at ore.design.

6020 FACADE 2-SIDED SLAT



132 Pierpont Avenue, Garden Level
 Salt Lake City, UT 84101
 info@ore.design | 801.936.0499
ore.design

6000 | 6020 FACADE 2-SIDED SLAT FINISHES

FACADE 2-SIDED SLAT: Inspired by architecture, Ore's extensive portfolio of cladding options maximizes customization with an extensive variety of materials and colors. Our selection of durable, weather-resistant products ensures high-quality results with endless creative potential.

Our 6000/6020 2-SIDED SLAT FINISHES may be ordered to fit RECTANGLE or CUBE containers with a narrow, horizontal panel design.

FIBRE C by Rieder

Fibre C is a glass fibre, reinforced, lightweight, stable concrete cladding material that withstands the effects of weather and environmental conditions, while combining durability and design.

TRESPA®

Trespa® is a durable, high-pressure, compact laminate that yields a highly stable, durable cladding panel with exceptional weather resistance and zero maintenance required.

PRODEMA

Prodemas is a composite panel with a natural wood-face veneer that resists the effects of sunlight, chemical effects, and the damage caused by atmospheric agents.

IPE

FSC Certified ipe is a tropical hardwood tree that grows abundantly throughout Central and South America. Ipe wood is prized for its durability, strength, and natural resistance to decay, wet conditions, and insect infestation.

ACCOYA®

EUTR compliant and made from legally harvested wood, FSC, PEFC and other regionally Certified woods, Accoya® wood is an ideal material for structural requirements. It has been used in bridges and other large structures around the world.

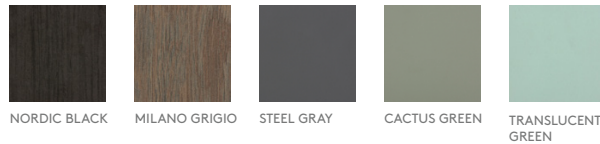
ALUMINUM

Made from our recycled aluminum material, these tiles are used as slats or panels. They may be powder coated with a single color or multiple colors.

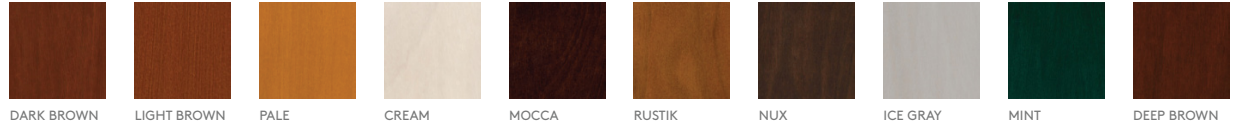
FIBRE C



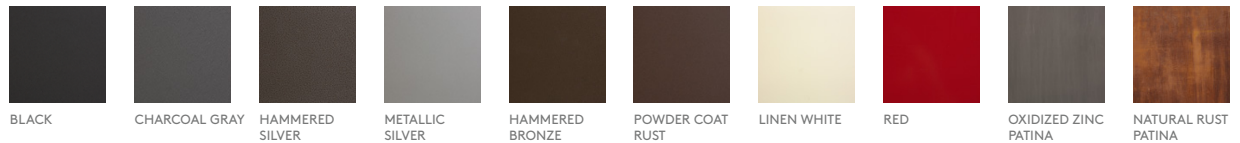
TRESPA



PRODEMA



ALUMINUM



MISC.



LEGAL INFORMATION:

ALL RIGHTS RESERVED. INFORMATION IN THIS DOCUMENT IS CONFIDENTIAL AND IS EXCLUSIVE PROPERTY OF ORE INCORPORATED. DELIVERY OF THIS DOCUMENT OR ANY COPY THEREOF OR DISCLOSURE OF SUCH INFORMATION TO UNAUTHORIZED PERSONS IS FORBIDDEN WITHOUT EXPRESSED WRITTEN PERMISSION OF ORE INC.