



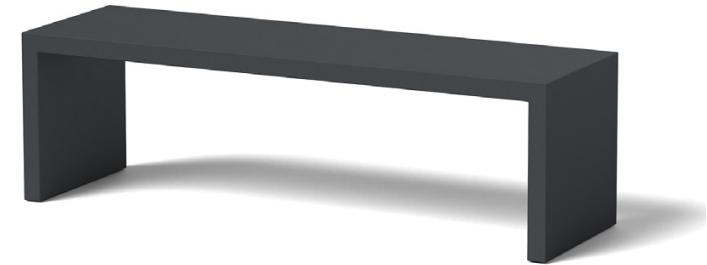
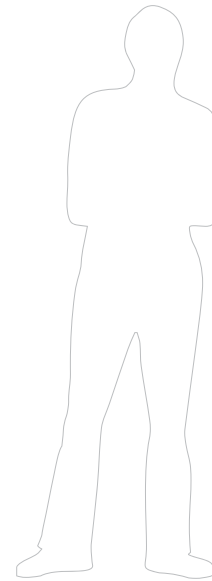
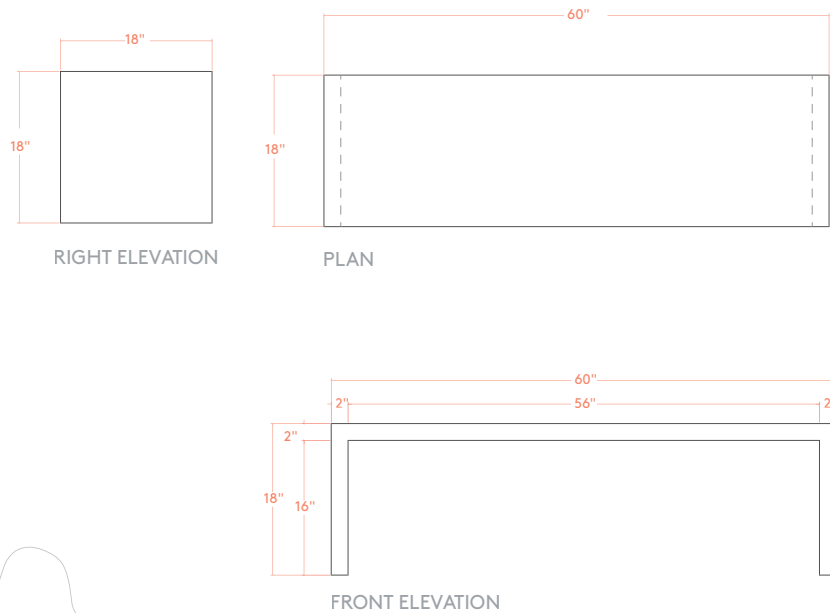
132 Pierpont Avenue, Garden Level  
 Salt Lake City, UT 84101  
 info@ore.design | 801.936.0499  
[ore.design](http://ore.design)

## 3002 GALLERY BENCH

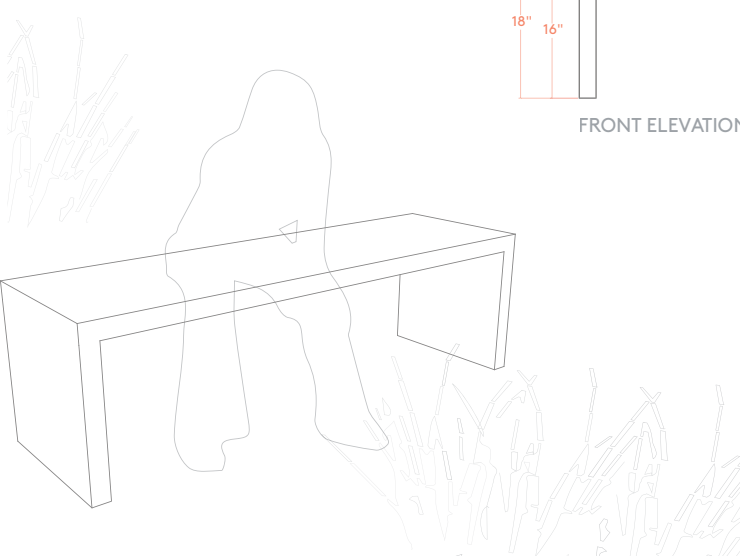
**PRODUCT DESCRIPTION:** The GALLERY bench offers a clean, minimalist profile and may be finished in any of our standard powder-coat colors or in your preferred custom color. This bench may be fitted for optional anchoring.

**3002 GALLERY BENCH:** WEIGHT: 55 lbs. Aluminum DIMENSION: 60”L x 18”W x 18”H

Formed of marine-grade aluminum, GALLERY benches are shaped, welded, powder coated, and packaged exclusively at Ore’s independent manufacturing facility in Salt Lake City, Utah. For more information, please contact your Ore Project Manager.



3002 | Gallery Bench in Standard Powder Coat Charcoal Gray



**LEED® POINTS:**

- 1) Material Content
- 2) Indoor Environmental Quality - Manufacturing
- 3) Indoor Environmental Quality - Low VOCs
- 4) Material Reuse
- 5) Proximity

Final points achieved will vary according to materials and destination.

**LEGAL INFORMATION:**

ALL RIGHTS RESERVED. INFORMATION IN THIS DOCUMENT IS CONFIDENTIAL AND IS EXCLUSIVE PROPERTY OF ORE INCORPORATED. DELIVERY OF THIS DOCUMENT OR ANY COPY THEREOF OR DISCLOSURE OF SUCH INFORMATION TO UNAUTHORIZED PERSONS IS FORBIDDEN WITHOUT EXPRESSED WRITTEN PERMISSION OF ORE INC.

**TO SPECIFY THIS PRODUCT:**

- 1) Indicate product name, product number, description, and size.
- 2) Select material: If recycled aluminum is specified, select powder-coat finish.
- 3) Select product-specific options. Standard options may be viewed at [ore.design](http://ore.design).