

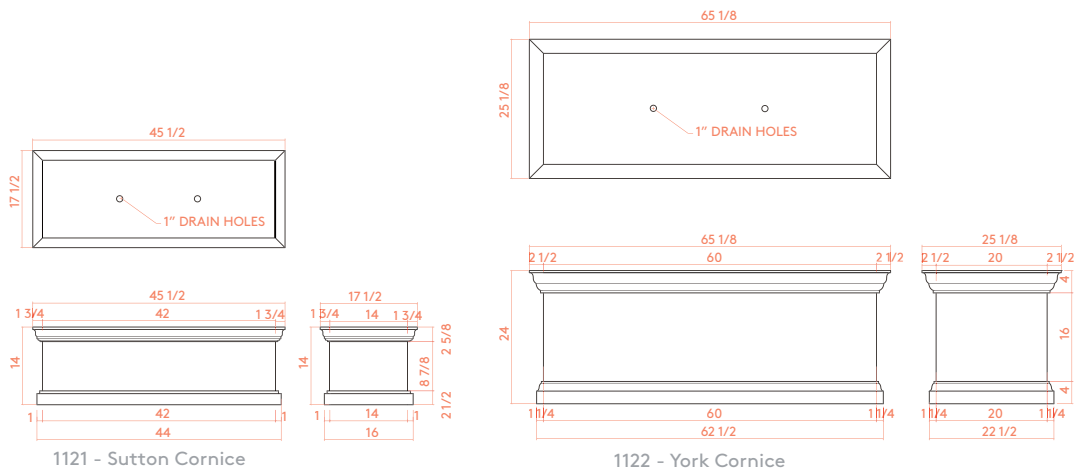
## 1121 | 1122 CORNICE

**PRODUCT DESCRIPTION:** The CORNICE planter group features a traditional cornice design element on the lip and base of each container. Available in a variety of colors, CORNICE planters combine modern functionality with classic design sensibility.

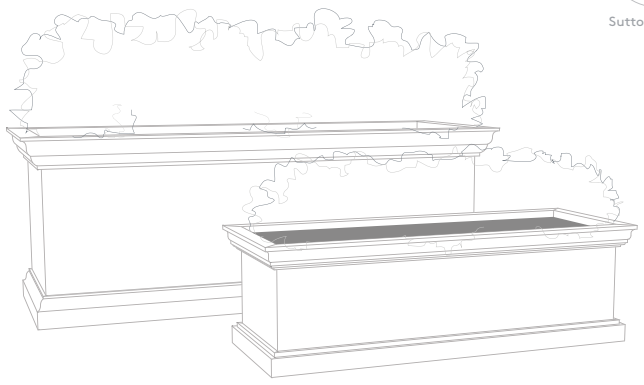
**1121 SUTTON CORNICE:** WEIGHT: 29 lbs. Aluminum CAPACITY: 4.25 cu ft DIMENSION: 45.5" L x 17.5" W x 14" H  
**1122 YORK CORNICE:** WEIGHT: 58 lbs. Aluminum CAPACITY: 15.5 cu ft DIMENSION: 65.125" L x 25.124" W x 24" H

Formed of either steel or aluminum, our CORNICE containers are shaped, welded, powder coated (as desired), and packaged exclusively at Ore's independent manufacturing facility in Salt Lake City, Utah. For more information, please contact your Ore Project Manager.

**OPTIONS:**        



1122 | York Cornice in Standard Powder Coat Linen White



**LEED® POINTS:**  
 1) Material Content 2) Indoor Environmental Quality - Manufacturing  
 3) Indoor Environmental Quality - Low VOCs 4) Material Reuse  
 5) Proximity

Final points achieved will vary according to materials and destination.

**LEGAL INFORMATION:**  
 ALL RIGHTS RESERVED. INFORMATION IN THIS DOCUMENT IS CONFIDENTIAL AND IS EXCLUSIVE PROPERTY OF ORE INCORPORATED. DELIVERY OF THIS DOCUMENT OR ANY COPY THEREOF OR DISCLOSURE OF SUCH INFORMATION TO UNAUTHORIZED PERSONS IS FORBIDDEN WITHOUT EXPRESSED WRITTEN PERMISSION OF ORE INC.

**TO SPECIFY THIS PRODUCT:**  
 1) Indicate product name, product number, description, and size.  
 2) Select material: recycled steel, COR-TEN, or recycled aluminum. If recycled steel or aluminum is specified, select powder-coat color or natural patina finish.  
 3) Select product-specific options. Standard options may be viewed at [ore.design](http://ore.design).