



refined environments

1972 W. 2425 S.
WOODS CROSS, UT 84087
801.936.0499
info@ore.design

1104 | 1105 | 1106 MID RECTANGLE

PRODUCT DESCRIPTION: The MID RECTANGLE planter group offers a versatile selection of mid-height sizes and colors. Our RECTANGLE containers are often paired with matching modular CORNER containers to better define spaces.

1104 SMALL MID: WEIGHT 55 lbs. Steel, 23 lbs. Aluminum CAPACITY: 4.25 cu ft DIMENSION: 25”L x 18”W x 18”H

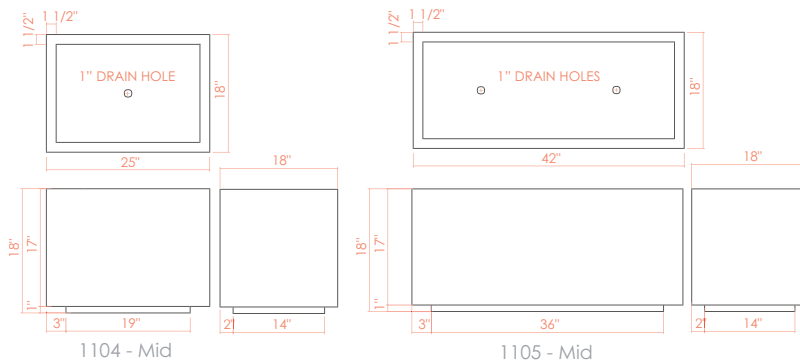
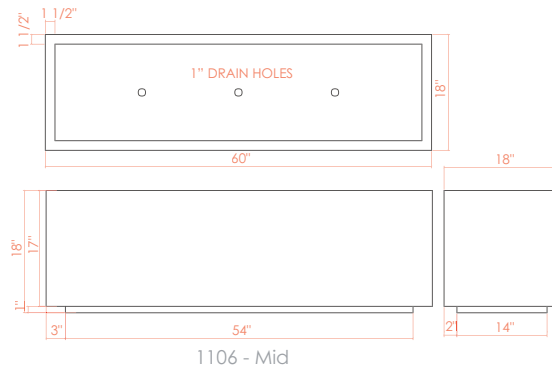
1105 MEDIUM MID: WEIGHT 80 lbs. Steel, 33 lbs. Aluminum CAPACITY: 7 cu ft DIMENSION: 42”L x 18”W x 18”H

1106 LARGE MID: WEIGHT 107 lbs. Steel, 45 lbs. Aluminum CAPACITY: 10.25 cu ft DIMENSION: 60”L x 18”W x 18”H

Formed of either steel or aluminum, our MID RECTANGLE containers are shaped, welded, powder coated (as desired), and packaged exclusively at Ore’s independent manufacturing facility in Salt Lake City, Utah.

For more information, please contact your Ore Project Manager.

OPTIONS:       



1105 | Mid Rectangle in Standard Powder Coat Red



LEED® POINTS:

- 1) Material Content
- 2) Indoor Environmental Quality - Manufacturing
- 3) Indoor Environmental Quality - Low VOCs
- 4) Material Reuse
- 5) Proximity

Final points achieved will vary according to materials and destination.

LEGAL INFORMATION:

ALL RIGHTS RESERVED. INFORMATION IN THIS DOCUMENT IS CONFIDENTIAL AND IS EXCLUSIVE PROPERTY OF ORE INCORPORATED. DELIVERY OF THIS DOCUMENT OR ANY COPY THEREOF OR DISCLOSURE OF SUCH INFORMATION TO UNAUTHORIZED PERSONS IS FORBIDDEN WITHOUT EXPRESSED WRITTEN PERMISSION OF ORE INC.

TO SPECIFY THIS PRODUCT:

- 1) Indicate product name, product number, description, and size.
- 2) Select material: recycled steel, COR-TEN, or recycled aluminum. If recycled steel or aluminum is specified, select powder-coat color or natural patina finish.
- 3) Select product-specific options. Standard options may be viewed at ore.design.

1104 | 1105 | 1106 MID RECTANGLE