



refined environments

1972 West 2425 South, Woods Cross, UT 84087
801.936.0499 | info@ore.design

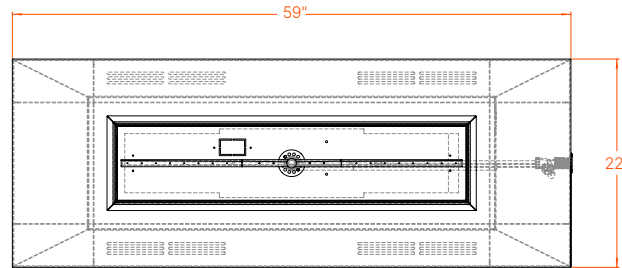
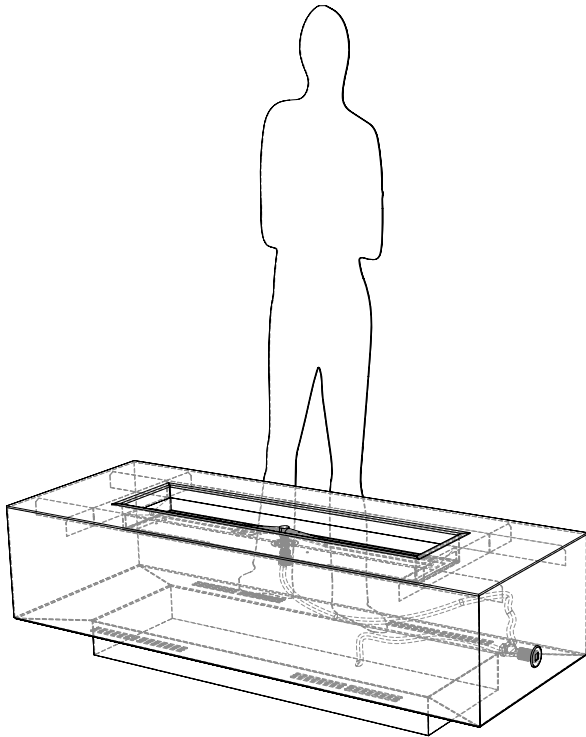
LINEAR FIRE FEATURE Model 4020

The Linear Fire Feature offers a low profile and sleek, horizontal lines. This product may be fitted with a CSA certified match-lit natural gas/ LP linear burner or electronic pilotless ignition system. Formed of either steel or aluminum, our containers and outdoor products are shaped, welded, powder coated (as desired), and packaged exclusively at ORE's independent manufacturing facility in Woods Cross, UT.

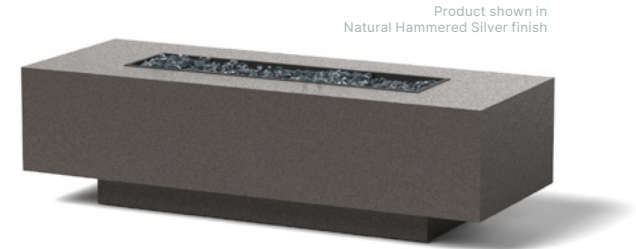
PRODUCT SPECS: 95 lbs. | Aluminum 220 lbs. Steel FIRE MEDIA CAPACITY: 1 cu. ft. DIMENSION: 59" L x 22" W x 17" H

MATERIAL TYPE	FUEL TYPE	BURNER OPTIONS	MODEL #	BTU	ELECTRICAL	EMERGENCY STOPS + TIMER OPTIONS	DESIGN DETAILS + UPGRADES
<ul style="list-style-type: none"> Aluminum Mild Steel COR-TEN* 	<ul style="list-style-type: none"> Natural Gas Liquid Propane Wood Burning (Mild Steel/COR-TEN) 20 LBS LP Tank ETHANOL 	<ul style="list-style-type: none"> Match Lit Burner Push Button Ignition Electronic Ignition Match Lit 20 LBS LP Tank ECOSMART (Ethanol) 	<ul style="list-style-type: none"> TOR-MLFPK37X8-L-FLEX-NG TOR-FPPK37X8-L-FLEX-NG TOR-37X8SSEI-L-NG TOR-MLFPK37X8-L-FLEX-LP-ST ECO XL900 	<ul style="list-style-type: none"> 65K 115K 115K 65K 15K 	<ul style="list-style-type: none"> - Battery 120 VAC - - 	<ul style="list-style-type: none"> Mechanical E-Stop/Timer Electronic Ignition Timer Emergency Shut Off 	<ul style="list-style-type: none"> Powder-Coated Top Black Granite Top Glass Surround Flushed Powder-Coated Lid Raised Powder-Coated Lid Bollard Controls (EI System) Media LED Toe Kick Lighting Adjustable Feet LP Hose Routing Custom Vinyl Covering 20 LBS Propane Enclosure

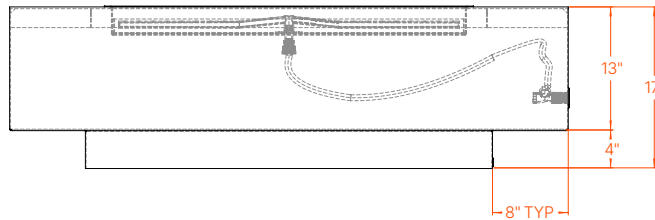
CSA CERTIFIED MATCH LIT BURNER



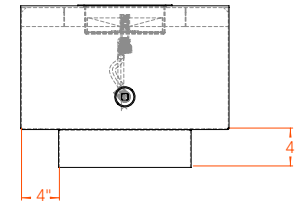
TOP VIEW



Product shown in Natural Hammered Silver finish



FRONT VIEW



RIGHT VIEW

READY TO FINALIZE YOUR QUOTE?

Send us your project and finish details to connect with our account reps and project managers and bridge the gap from design intent to fabrication.

Quote Link → <https://ore.design/quote/>



refined environments

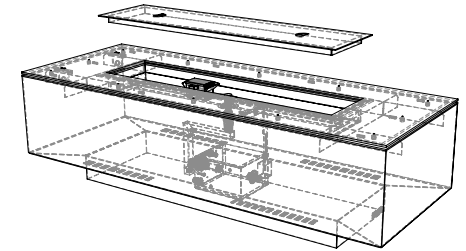
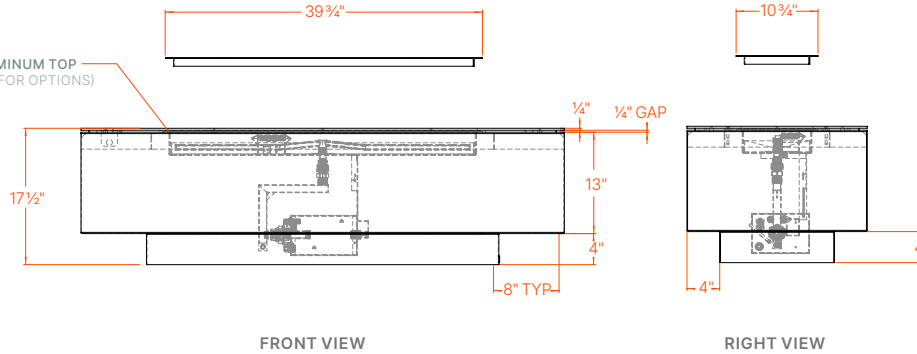
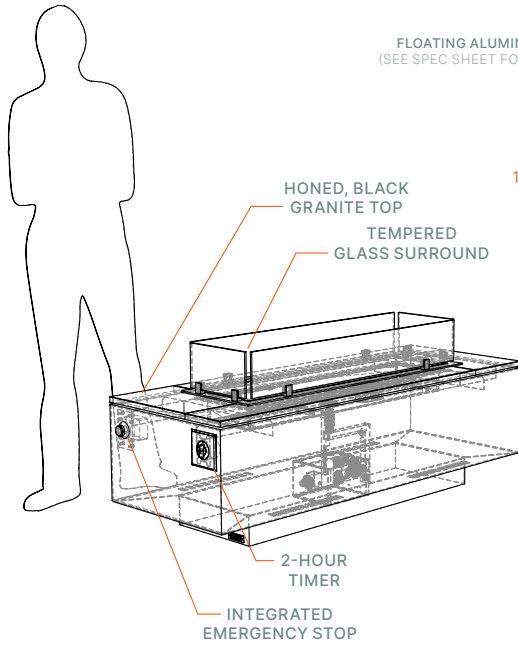
1972 West 2425 South, Woods Cross, UT 84087
801.936.0499 | info@ore.design

LINEAR FIRE FEATURE Model 4020

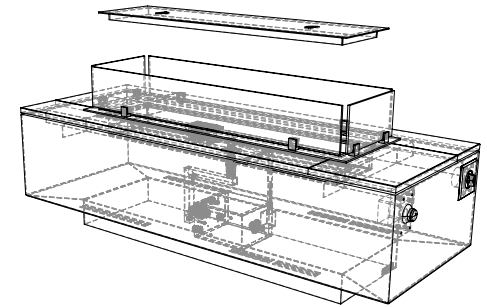
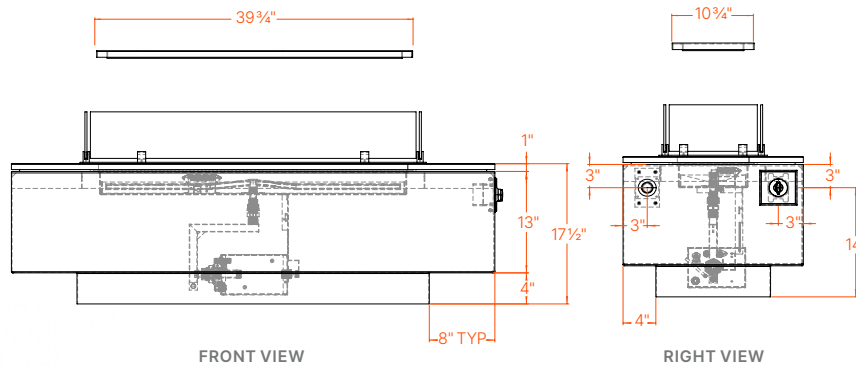
STANDARD OPTIONS: The Linear Fire Feature base model is provided with a CSA certified, 65 k B.T.U. match-lit burner. A removable cover is required with an electronic ignition burner. While fire feature dimensions do not change additional options to complement you burner selection. Our Project Managers are on hand to discuss additional options to complement your burner selection.

CAUTION: Please follow operating instructions carefully. Fire Features are for outdoor/interior use only.

FLUSHED, POWDER-COATED LID, FLOATING ALUMINUM TOP WITH CSA CERTIFIED PILOTLESS REMOTE ELECTRONIC IGNITION

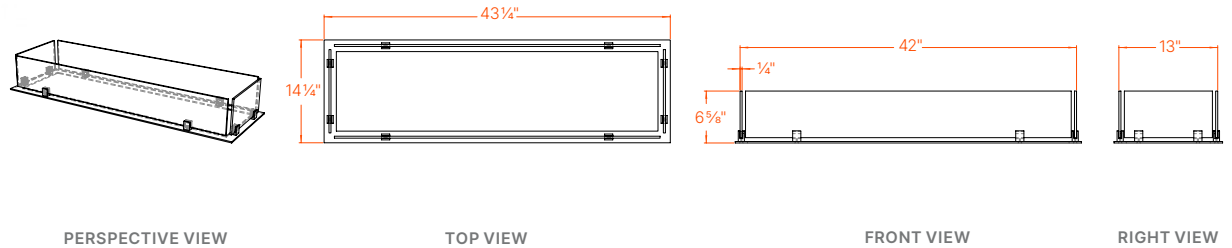
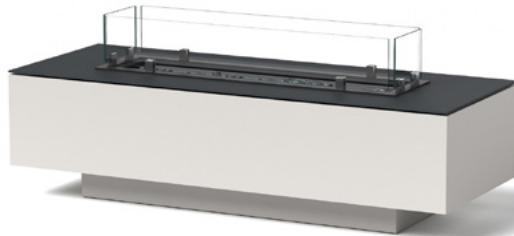


GLASS SURROUND, FLUSHED LID, BLACK GRANITE TOP WITH CSA CERTIFIED PILOTLESS REMOTE ELECTRONIC IGNITION



Product shown in Satin White finish with Tempered Glass Surround and Honed, Black Granite Top

GLASS SURROUND DETAILS



801.936.0499 | INFO@ORE.DESIGN

SPC-FF-LNR-AR01 0426

ORE.DESIGN

©2026 ORE Design, Inc. All rights reserved. Information in this document is confidential and is exclusive property of ORE Design, Inc. Delivery of this document or any copy thereof or disclosure of such information to unauthorized persons is forbidden without expressed written permission of ORE Design, Inc.