



refined environments

1972 West 2425 South, Woods Cross, UT 84087  
801.936.0499 | info@ore.design

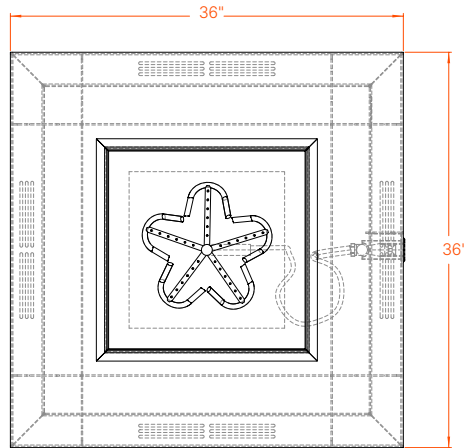
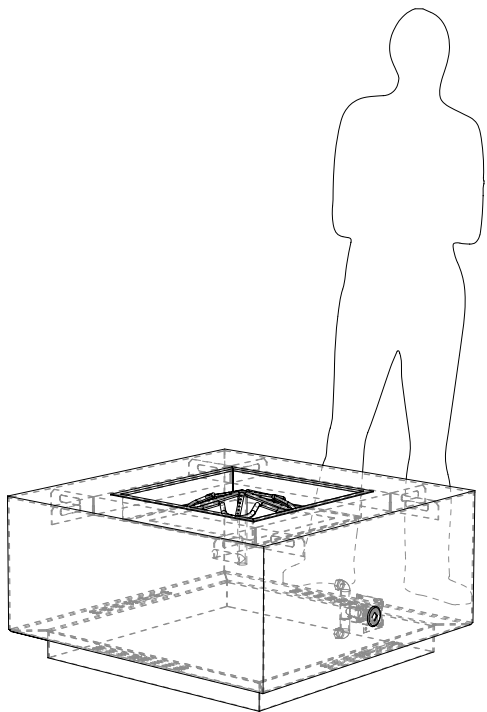
# BLOCK FIRE FEATURE – SMALL Model 4015

The Block Fire Feature is a versatile outdoor element, feature a low profile, square form, and many color options. This fire feature may be fitted for natural gas, propane (LP), or EcoSmart Bioethanol. Formed of either steel or aluminum, our containers and outdoor products are shaped, welded, powder coated (as desired), and packaged exclusively at ORE's independent manufacturing facility in Woods Cross, UT.

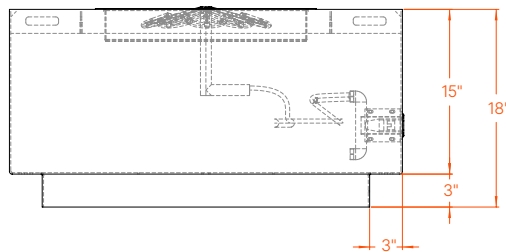
**PRODUCT SPECS:** 60 lbs. Aluminum | 125 lbs. Steel **FIRE MEDIA CAPACITY:** 1 cu. ft. **DIMENSION:** 36" L x 36" W X 18" H

MATERIAL TYPE	FUEL TYPE	BURNER OPTIONS	MODEL #	BTU	ELECTRICAL	EMERGENCY STOPS + TIMER OPTIONS	DESIGN DETAILS + UPGRADES
<ul style="list-style-type: none"> <li>Aluminum</li> <li>Mild Steel</li> <li>COR-TEN*</li> </ul>	<ul style="list-style-type: none"> <li>Natural Gas</li> <li>Liquid Propane</li> <li>Wood Burning (Mild Steel/COR-TEN)</li> <li>20 LBS LP Tank</li> <li>ETHANOL</li> </ul>	<ul style="list-style-type: none"> <li>Match Lit Burner</li> <li>Push Button Ignition</li> <li>Electronic Ignition</li> <li>Match Lit 20 LBS LP Tank</li> <li>ECOSMART (Ethanol)</li> </ul>	<ul style="list-style-type: none"> <li>MLFPK18SQ-FLEX-NG</li> <li>FPPK18-SQ-FLEX-NG</li> <li>18FSSEI-SQ-NG</li> <li>MLFPK18SQ-FLEX-LP-ST</li> <li>ECO BK5</li> </ul>	<ul style="list-style-type: none"> <li>65K</li> <li>90K</li> <li>65K</li> <li>65K</li> <li>13K</li> </ul>	<ul style="list-style-type: none"> <li>-</li> <li>Battery</li> <li>120 VAC</li> <li>-</li> <li>-</li> </ul>	<ul style="list-style-type: none"> <li>Mechanical E-Stop/Timer</li> <li>Electronic Ignition Timer</li> <li>Emergency Shut Off</li> </ul>	<ul style="list-style-type: none"> <li>Powder-Coated Top</li> <li>Black Granite Top</li> <li>Glass Surround</li> <li>Flushed Powder-Coated Lid</li> <li>Raised Powder-Coated Lid</li> <li>Bollard Controls (EI System)</li> <li>Media</li> <li>LED Toe Kick Lighting</li> <li>Adjustable Feet</li> <li>LP Hose Routing</li> <li>Custom Vinyl Covering</li> <li>20 LBS Propane Enclosure</li> </ul>

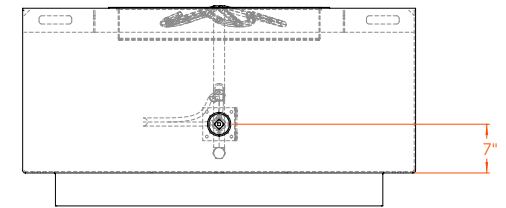
## CSA CERTIFIED MATCH LIT BURNER



TOP VIEW



FRONT VIEW



RIGHT VIEW

### READY TO FINALIZE YOUR QUOTE?

Send us your project and finish details to connect with our account reps and project managers and bridge the gap from design intent to fabrication.

Quote Link → <https://ore.design/quote/>



refined environments

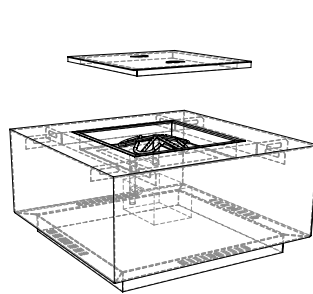
1972 West 2425 South, Woods Cross, UT 84087  
801.936.0499 | info@ore.design

# BLOCK FIRE FEATURE – SMALL Model 4015

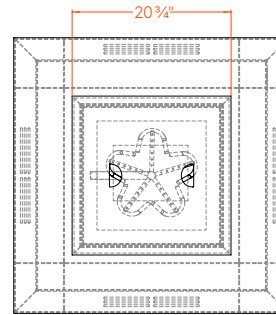
**STANDARD OPTIONS:** The Block Fire Feature base model may be fitted with the options below. While fire feature dimensions do not change additional options to complement you burner selection.

**CAUTION:** Please follow operating instructions carefully. Fire Features are for outdoor/interior use only.

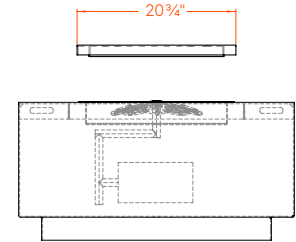
## RAISED, POWDER-COATED LID WITH CSA CERTIFIED PILOTLESS REMOTE ELECTRONIC IGNITION



PERSPECTIVE VIEW

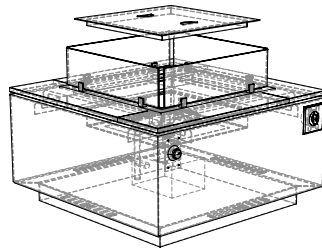


TOP VIEW

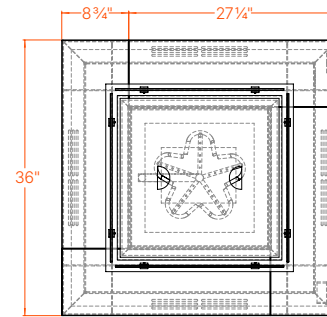


FRONT VIEW

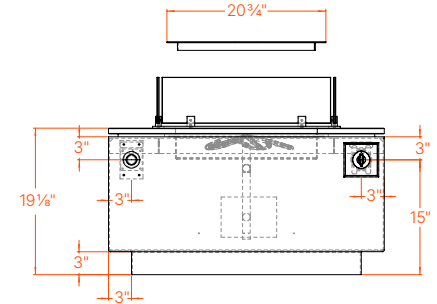
## TEMPERED GLASS SURROUND, FLUSHED POWDER-COATED LID WITH CSA CERTIFIED PILOTLESS REMOTE ELECTRONIC IGNITION



PERSPECTIVE VIEW

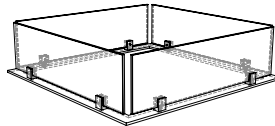


TOP VIEW

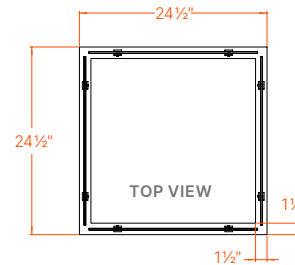


FRONT VIEW

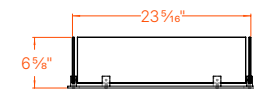
## GLASS SURROUND DETAILS



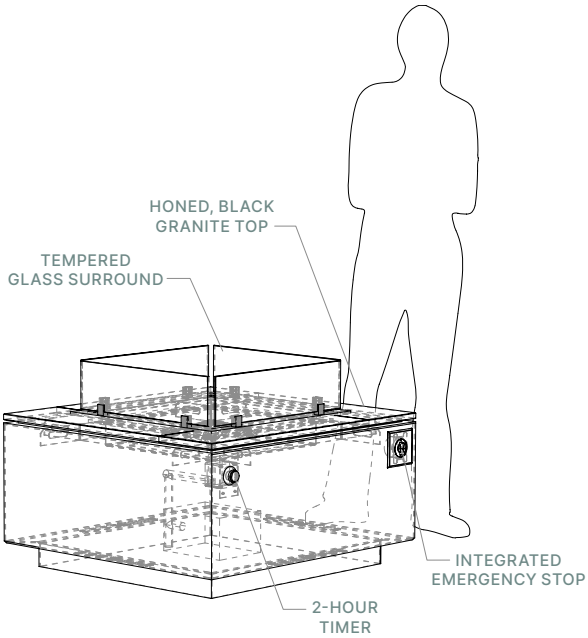
PERSPECTIVE VIEW



TOP VIEW



FRONT VIEW



Product shown in Hammered Silver finish



801.936.0499 | INFO@ORE.DESIGN

SPC-FF-BLC-SM-AR01 0426

ORE.DESIGN

©2026 ORE Design, Inc. All rights reserved. Information in this document is confidential and is exclusive property of ORE Design, Inc. Delivery of this document or any copy thereof or disclosure of such information to unauthorized persons is forbidden without expressed written permission of ORE Design, Inc.