



refined environments

1972 West 2425 South, Woods Cross, UT 84087  
801.936.0499 | info@ore.design

# ROUND FIRE FEATURE

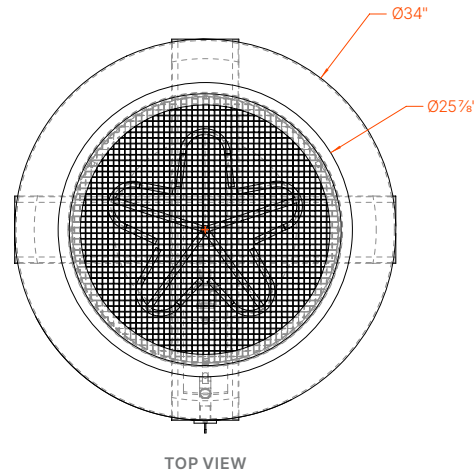
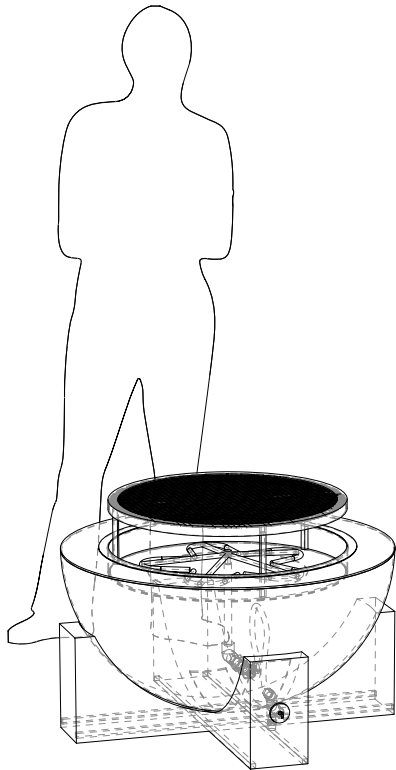
Model 4012

This fire feature may be fitted for natural gas or propane (LP). Formed of either steel or aluminum, our containers and outdoor products are shaped, welded, powder coated (as desired), and packaged exclusively at ORE's independent manufacturing facility in Woods Cross, UT.

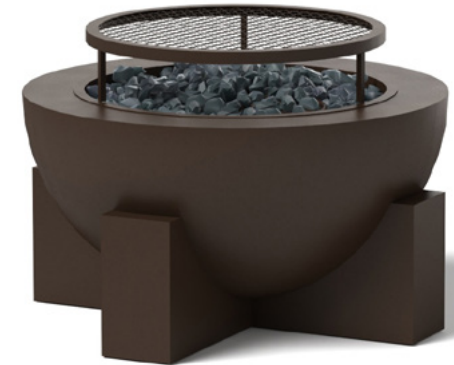
PRODUCT SPECS: 58 lbs. | Aluminum 115 lbs. Steel FIRE MEDIA CAPACITY: 1 cu. ft. DIMENSION: 34" Dia 18.5" H

MATERIAL TYPE	FUEL TYPE	BURNER OPTIONS	MODEL #	BTU	ELECTRICAL	EMERGENCY STOPS + TIMER OPTIONS	DESIGN DETAILS + UPGRADES
<ul style="list-style-type: none"> <li>Aluminum</li> <li>Mild Steel</li> <li>COR-TEN*</li> </ul>	<ul style="list-style-type: none"> <li>Natural Gas</li> <li>Liquid Propane</li> <li>Wood Burning (Mild Steel/COR-TEN)</li> <li>20 LBS LP Tank</li> <li>ETHANOL</li> </ul>	<ul style="list-style-type: none"> <li>Match Lit Burner</li> <li>Push Button Ignition</li> <li>Electronic Ignition</li> <li>Match Lit 20 LBS LP Tank</li> <li>ECOSMART (Ethanol)</li> </ul>	<ul style="list-style-type: none"> <li>PENTA24 MLFPK-FLEX-NG</li> <li>PENTA24FPPK-FLEX-NG</li> <li>PENTA24EI-NG</li> <li>PENTA24 MLFPK-FLEX-LP-ST</li> <li>ECO AB8</li> </ul>	<ul style="list-style-type: none"> <li>65K</li> <li>125K</li> <li>125K</li> <li>65K</li> <li>20.4K</li> </ul>	<ul style="list-style-type: none"> <li>-</li> <li>Battery</li> <li>120 VAC</li> <li>-</li> <li>-</li> </ul>	<ul style="list-style-type: none"> <li>Mechanical E-Stop/Timer</li> <li>Electronic Ignition Timer</li> <li>Emergency Shut Off</li> </ul>	<ul style="list-style-type: none"> <li>Powder-Coated Top</li> <li>Black Granite Top</li> <li>Glass Surround</li> <li>Flushed Powder-Coated Lid</li> <li>Raised Powder-Coated Lid</li> <li>Bollard Controls (EI System)</li> <li>Media</li> <li>LED Toe Kick Lighting</li> <li>Adjustable Feet</li> <li>LP Hose Routing</li> <li>Custom Vinyl Covering</li> <li>20 LBS Propane Enclosure</li> </ul>

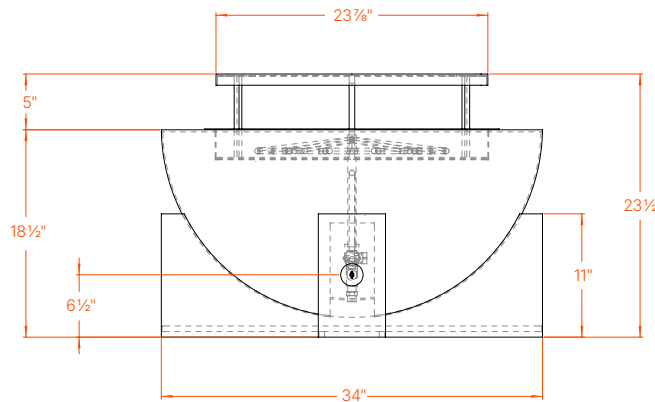
## SPARK ARRESTOR WITH CSA CERTIFIED MATCH LIT BURNER



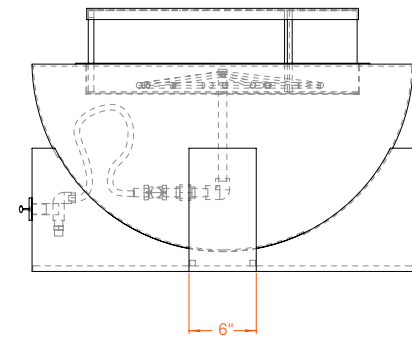
TOP VIEW



Product shown in Hammered Bronze finish



FRONT VIEW



RIGHT VIEW

### READY TO FINALIZE YOUR QUOTE?

Send us your project and finish details to connect with our account reps and project managers and bridge the gap from design intent to fabrication.

Quote Link → <https://ore.design/quote/>



refined environments

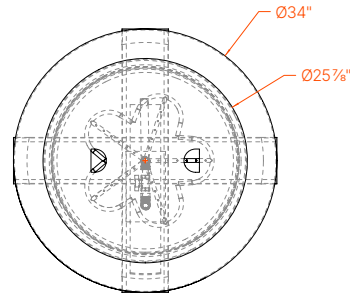
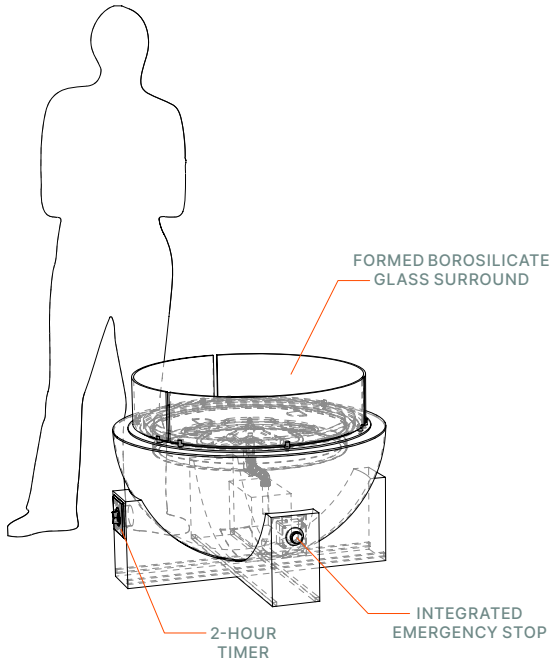
1972 West 2425 South, Woods Cross, UT 84087  
801.936.0499 | info@ore.design

# ROUND FIRE FEATURE Model 4012

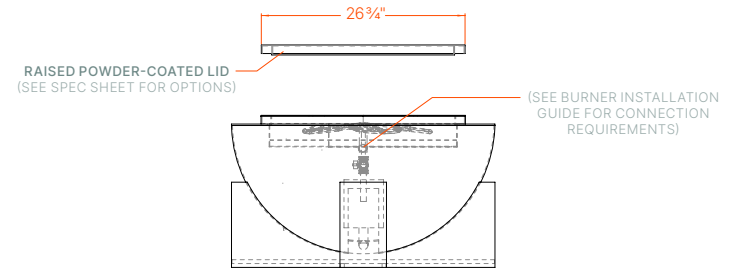
**STANDARD OPTIONS:** The Square base model provides a pan for wood-burning fires and may fitted with the options below. Our Project Managers are on hand to discuss additional options to complement your burner selection.

**CAUTION:** Please follow operating instructions carefully. Fire Features are for outdoor/exterior use only.

## RAISED, POWDER-COATED LID WITH CSA CERTIFIED PILOTLESS REMOTE ELECTRONIC IGNITION

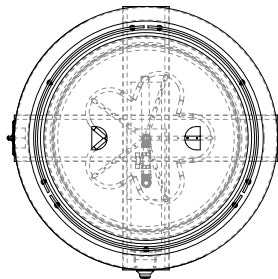


TOP VIEW

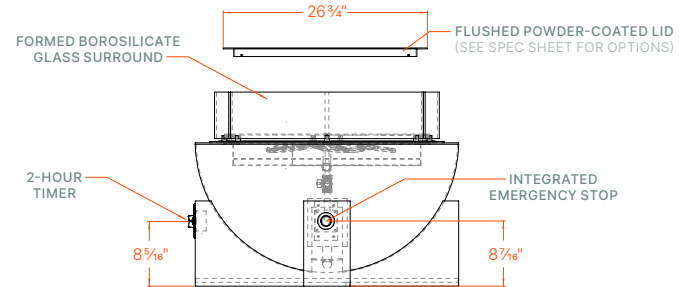


FRONT VIEW

## FORMED BOROSILICATE GLASS SURROUND, POWDER-COATED LID WITH CSA CERTIFIED PILOTLESS REMOTE ELECTRONIC IGNITION

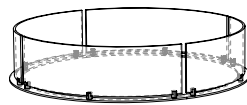


TOP VIEW

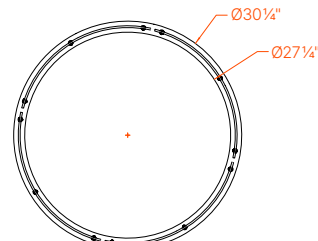


FRONT VIEW

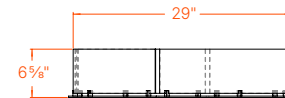
## GLASS SURROUND DETAILS



PERSPECTIVE VIEW



TOP VIEW



FRONT VIEW



Product shown in Mottled Zinc finish

801.936.0499 | INFO@ORE.DESIGN

SPC-FF-RND-AR01 0426

ORE.DESIGN

©2026 ORE Design, Inc. All rights reserved. Information in this document is confidential and is exclusive property of ORE Design, Inc. Delivery of this document or any copy thereof or disclosure of such information to unauthorized persons is forbidden without expressed written permission of ORE Design, Inc.