

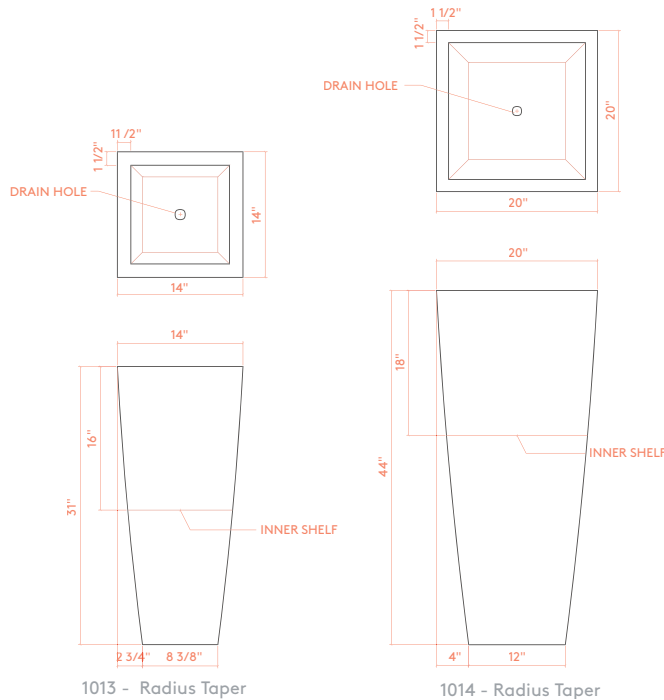
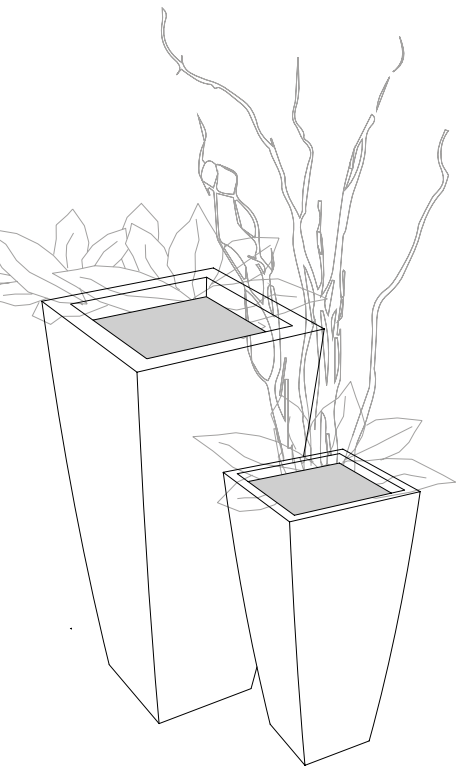
1013 | 1014 RADIUS TAPER

PRODUCT DESCRIPTION: The RADIUS TAPER planter group features a slightly curved, tapered design and generous planting depths. Available in a variety of colors, RADIUS TAPER containers can be clustered in varied heights or repeated in a single height along a wall or in a garden bed.

1013 SMALL RADIUS TAPER: WEIGHT: 50 lbs. Steel | 21 lbs. Aluminum CAPACITY: 1.25 cu ft DIMENSION: 14"L x 14"W x 31"H
1014 LARGE RADIUS TAPER: WEIGHT: 98 lbs. Steel | 32 lbs. Aluminum CAPACITY: 3.25 cu ft DIMENSION: 20"L x 20"W x 44"H

Formed of either steel or aluminum, our RADIUS TAPER containers are shaped, welded, powder coated (as desired), and packaged exclusively at Ore's independent manufacturing facility in Salt Lake City, Utah. For more information, please contact your Ore Project Manager.

OPTIONS:      



1014 | Radius Taper in Natural Rust Patina

LEED® POINTS:

- 1) Material Content
- 2) Indoor Environmental Quality - Manufacturing
- 3) Indoor Environmental Quality - Low VOCs
- 4) Material Reuse
- 5) Proximity

Final points achieved will vary according to materials and destination.

LEGAL INFORMATION:

ALL RIGHTS RESERVED. INFORMATION IN THIS DOCUMENT IS CONFIDENTIAL AND IS EXCLUSIVE PROPERTY OF ORE INCORPORATED. DELIVERY OF THIS DOCUMENT OR ANY COPY THEREOF OR DISCLOSURE OF SUCH INFORMATION TO UNAUTHORIZED PERSONS IS FORBIDDEN WITHOUT EXPRESSED WRITTEN PERMISSION OF ORE INC.

TO SPECIFY THIS PRODUCT:

- 1) Indicate product name, product number, description, and size.
- 2) Select material: recycled steel, COR-TEN, or recycled aluminum. If recycled steel or aluminum is specified, select powder-coat color or natural patina finish.
- 3) Select product-specific options. Standard options may be viewed at ore.design.